



MINIATURE  
RELAYS  
HR401C

Product designation

Product type designation

**Contact characteristics**

Contact configuration			1 C/O
Rated insulation voltage $U_i$ IEC/EN	V		250
Rated impulse withstand voltage $U_{imp}$	kV		4
IEC Conventional free air thermal current $I_{th}$	A		16
Maximum instantaneous current	A		60
Rated current ( $I_n$ )	A		16
Relay control voltage	V		24VDC

Max contrrollable power in

AC-1	W	3840
AC-15	VA	150

Rated operating power AC-1

VA	4000
----	------

Rated operating power AC-15

230 VAC	VA	500
---------	----	-----

Single-phase motor control

230VAC	kW	0.37
--------	----	------

Rated operating current DC-1

30V	A	10
110V	A	0.3
220V	A	0.12

Minimum switching load

V / mA	5 / 100
--------	---------

Contact impedance

m $\Omega$	100
------------	-----

Contact material

AgSnO<sub>2</sub>

**Operating times**

Closing	ms	<15
Opening	ms	<5

**Operations**

Mechanical life	cycles	10000000
Electrical life AC1	cycles	100000

**Coil characteristics**

Average coil consumption DC at 20°C	W	0.7
-------------------------------------	---	-----

Operating range

Closing	% $U_n$	75...110
Opening	% $U_n$	10...30

Maximum cycle frequency

cycles/h	3600
----------	------

**Mechanical features**

Max socket terminal tightening torque	Nm	0.6
---------------------------------------	----	-----

Socket screw tightening tool (cross / flat blade)		PH1 / 4.5mm
---	--	-------------

Conductor section

AWG/Kcmil

min	20
-----	----

IEC	max	14	
	min	mm <sup>2</sup>	0.5
	max	mm <sup>2</sup>	2.5
Operating position	normal	Any	
Fixing		On 35mm DIN rail and with screw	

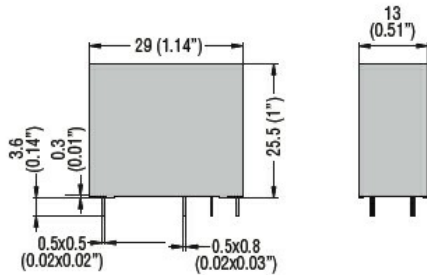
**Ambient conditions**

Temperature	Operating temperature		
	min	°C	-40
	max	°C	+85
Storage temperature	min	°C	-40
	max	°C	+85

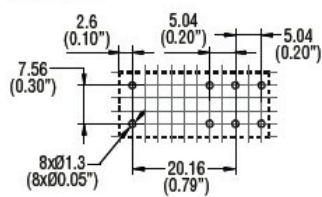
**Other features**

Indication	No
Mechanical contact position indicator	No
Mechanical test actuator	No

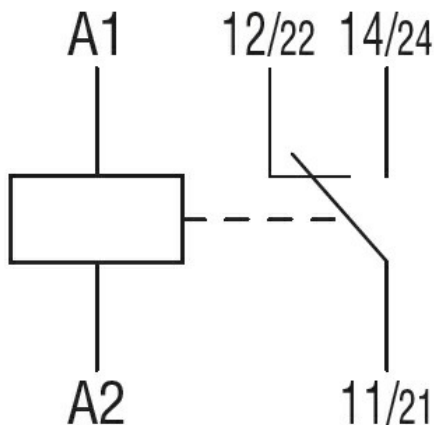
**Dimensions**



PCB layout



**Wiring diagrams**



Certifications and compliance

Compliance

IEC/EN 61810

Certificates

cURus

VDE

ETIM classification

ETIM 8.0

EC001437 –  
Switching relay