



|  |                  |                    |                     |
|--|------------------|--------------------|---------------------|
| Product designation                                | MINIATURE RELAYS |                    |                     |
| Product type designation                           | HR401C           |                    |                     |
| <b>Contact characteristics</b>                     |                  |                    |                     |
| Contact configuration                              | 1 C/O            |                    |                     |
| Rated insulation voltage $U_i$ IEC/EN              | V                | 250                |                     |
| Rated impulse withstand voltage $U_{imp}$          | kV               | 4                  |                     |
| IEC Conventional free air thermal current $I_{th}$ | A                | 10                 |                     |
| Rated current ( $I_n$ )                            | A                | 10                 |                     |
| Relay control voltage                              | V                | 230VAC             |                     |
| Max contrrollable power in                         | AC-1             | W                  | 2500                |
| Rated operating power AC-1                         |                  | VA                 | 2500                |
| Single-phase motor control                         | 230VAC           | kW                 | 0.25                |
| Minimum switching load                             |                  | V / mA             | 5 / 100             |
| Contact impedance                                  |                  | m $\Omega$         | 50                  |
| Contact material                                   |                  | AgSnO <sub>2</sub> |                     |
| <b>Operating times</b>                             |                  |                    |                     |
| Closing  |                  | ms                 | <20                 |
| Opening  |                  | ms                 | <10                 |
| <b>Operations</b>                                  |                  |                    |                     |
| Mechanical life                                    |                  | cycles             | 10000000            |
| Electrical life AC1                                |                  | cycles             | 100000              |
| <b>Coil characteristics</b>                        |                  |                    |                     |
| Average coil consumption AC at 20°C                |                  | VA                 | 1                   |
| Operating range                                    | Closing          | % $U_n$            | 80...110            |
|  | Opening          | % $U_n$            | >10                 |
| Maximum cycle frequency                            |                  | cycles/h           | 1800                |
| <b>Mechanical features</b>                         |                  |                    |                     |
| Max socket terminal tightening torque              |                  | Nm                 | 0.6                 |
| Socket screw tightening tool (cross / flat blade)  |                  | PH1 / 4.5mm        |                     |
| Conductor section                                  | AWG/Kcmil        |                    |                     |
|  |                  | min                | 20                  |
|  |                  | max                | 14                  |
|  | IEC              |                    |                     |
|  |                  | min                | mm <sup>2</sup> 0.5 |
|  |                  | max                | mm <sup>2</sup> 2.5 |
| Operating position                                 | normal           | Any                |                     |

|        |                                 |
|--------|---------------------------------|
| Fixing | On 35mm DIN rail and with screw |
|--------|---------------------------------|

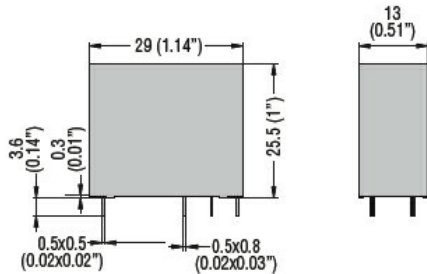
**Ambient conditions**

|             |                       |     |    |     |
|-------------|-----------------------|-----|----|-----|
| Temperature | Operating temperature | min | °C | -40 |
|             |                       | max | °C | +85 |
|             | Storage temperature   | min | °C | -40 |
|             |                       | max | °C | +85 |

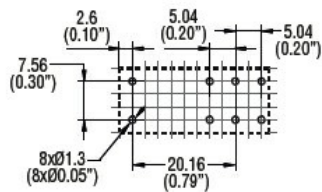
**Other features**

|                                       |    |
|---------------------------------------|----|
| Indication                            | No |
| Mechanical contact position indicator | No |
| Mechanical test actuator              | No |

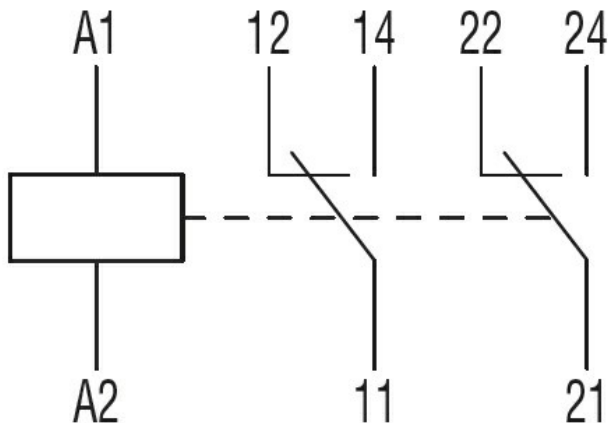
**Dimensions**



PCB layout



**Wiring diagrams**



**Certifications and compliance**

|              |              |
|--------------|--------------|
| Compliance   | IEC/EN 61810 |
| Certificates | cURus<br>VDE |

**ETIM classification**

ETIM 8.0

EC001437 –  
Switching relay