



Product designation	MINIATURE RELAYS		
Product type designation	HR401C		
Contact characteristics			
Contact configuration	1 C/O		
Rated insulation voltage U_i IEC/EN	V	250	
Rated impulse withstand voltage U_{imp}	kV	4	
IEC Conventional free air thermal current I_{th}	A	10	
Rated current (I_n)	A	10	
Relay control voltage	V	110/120VAC	
Max contrrollable power in	AC-1	W	2500
Rated operating power AC-1		VA	2500
Single-phase motor control	230VAC	kW	0.25
Minimum switching load		V / mA	5 / 100
Contact impedance		m Ω	50
Contact material	AgSnO ₂		
Operating times			
Closing		ms	<20
Opening		ms	<10
Operations			
Mechanical life		cycles	10000000
Electrical life AC1		cycles	100000
Coil characteristics			
Average coil consumption AC at 20°C		VA	1
Operating range	Closing	% U_n	80...110
	Opening	% U_n	>10
Maximum cycle frequency		cycles/h	1800
Mechanical features			
Max socket terminal tightening torque		Nm	0.6
Socket screw tightening tool (cross / flat blade)	PH1 / 4.5mm		
Conductor section	AWG/Kcmil		
		min	20
		max	14
	IEC		
		min	mm ² 0.5
		max	mm ² 2.5
Operating position	normal	Any	

Fixing	On 35mm DIN rail and with screw
--------	---------------------------------

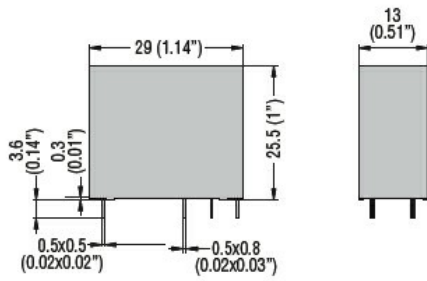
Ambient conditions

Temperature	Operating temperature	min	°C	-40
		max	°C	+85
	Storage temperature	min	°C	-40
		max	°C	+85

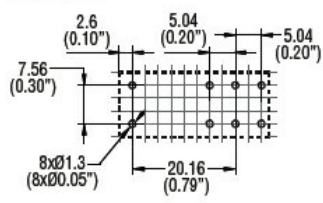
Other features

Indication	No
Mechanical contact position indicator	No
Mechanical test actuator	No

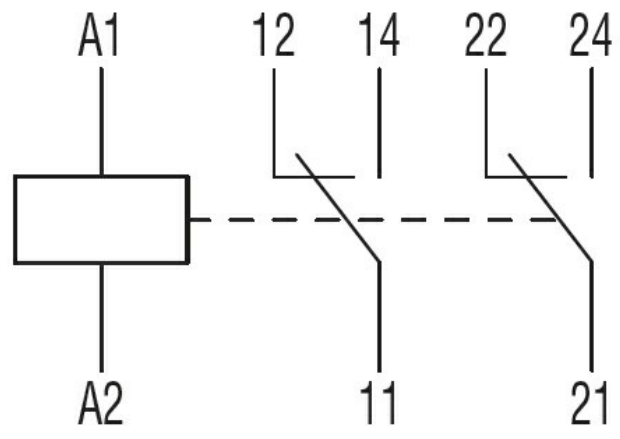
Dimensions



PCB layout



Wiring diagrams



Certifications and compliance

Compliance	IEC/EN 61810
Certificates	cURus VDE

ETIM classification

ETIM 8.0

EC001437 –
Switching relay