



Product designation	MINIATURE RELAYS		
Product type designation	HR301C		
<b>Contact characteristics</b>			
Contact configuration	1 C/O		
Rated insulation voltage $U_i$ IEC/EN	V	250	
Rated impulse withstand voltage $U_{imp}$	kV	6	
IEC Conventional free air thermal current $I_{th}$	A	16	
Maximum instantaneous current	A	60	
Rated current ( $I_n$ )	A	16	
Relay control voltage	V	24VDC	
Max contrrollable power in			
	AC-1	W	4000
	AC-15	VA	300
Rated operating power AC-1		VA	4000
Rated operating power AC-15	230 VAC	VA	300
Single-phase motor control	230VAC	kW	0.4
Rated operating current DC-1			
	30V	A	12
	110V	A	0.3
	220V	A	0.1
Minimum switching load		V / mA	5 / 100
Contact impedance		m $\Omega$	100
Contact material		AgSnO <sub>2</sub>	
<b>Operating times</b>			
Closing		ms	10
Opening		ms	5
<b>Operations</b>			
Mechanical life		cycles	10000000
Electrical life AC1		cycles	50000
<b>Coil characteristics</b>			
Average coil consumption AC at 20°C		VA	0.9
Average coil consumption DC at 20°C		W	0.45
Operating range			
	Closing	% $U_n$	75...110
	Opening	% $U_n$	10...30
Maximum cycle frequency		cycles/h	3600
<b>Mechanical features</b>			
Max socket terminal tightening torque		Nm	0.6
Socket screw tightening tool (cross / flat blade)		PH1 / 4.5mm	
Conductor section	AWG/Kcmil		

	min	20	
	max	14	
IEC			
	min	mm <sup>2</sup>	0.5
	max	mm <sup>2</sup>	2.5
Operating position			
	normal	Any	
Fixing			
		On 35mm DIN rail and with screw	

**Ambient conditions**

Temperature

Operating temperature

min	°C	-40
max	°C	+85

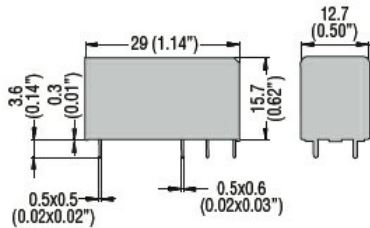
Storage temperature

min	°C	-40
max	°C	+85

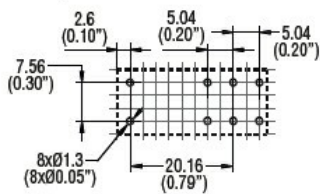
**Other features**

Indication	No
Mechanical contact position indicator	No
Mechanical test actuator	No

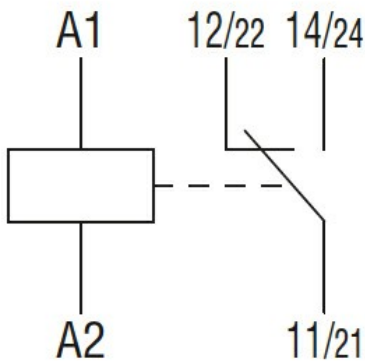
**Dimensions**



PCB layout



**Wiring diagrams**



**Certifications and compliance**

Compliance

IEC/EN 61810

---

Certificates

CSA

---

cURus

---

EAC

---

VDE

**ETIM classification**

ETIM 8.0

EC001437 -  
Switching relay