



Product designation	SLIM RELAY		
Product type designation	HR201A		
Contact characteristics			
Contact configuration	1 Static		
Rated insulation voltage U_i IEC/EN	V	2500 (input/output)	
IEC Conventional free air thermal current I_{th}	A	2	
Maximum instantaneous current	A	80 (10ms)	
Rated current (I_n)	A	2	
Relay control voltage	V	24VDC	
Max contrrollable power in		AC-1	W 1500
		AC-15	VA 360
Rated operating power AC-1		VA	2A output 24... 280VAC
Minimum switching load	V / mA	24 / 0.1	
Operating times			
Closing	ms	10	
Opening	ms	10	
Operations			
Mechanical life	cycles	Theoretically infinite	
Electrical life AC1	cycles	Theoretically infinite	
Coil characteristics			
Operating range	Closing	% U_n	80...120
Maximum cycle frequency		cycles/h	>100000
Mechanical features			
Max socket terminal tightening torque	Nm	0.5	
Socket screw tightening tool (cross / flat blade)	PH0 / 3.5mm		
Conductor section			
	AWG/Kcmil		
		min	20
		max	16
	IEC		
		min	mm ² 0.5
		max	mm ² 1.5
Operating position	normal	Any	
Fixing	On 35mm DIN rail		
Ambient conditions			
Temperature			

Operating temperature

min	°C	-30
max	°C	+80

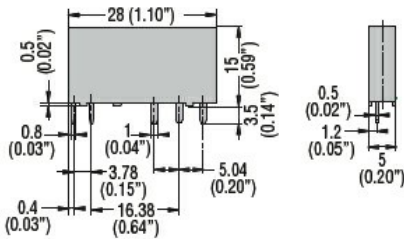
Storage temperature

min	°C	-30
max	°C	+100

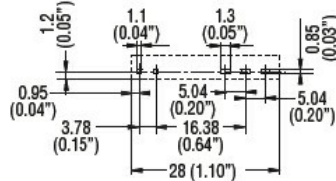
Other features

Indication	Yes (on the socket)
Mechanical contact position indicator	No
Mechanical test actuator	No

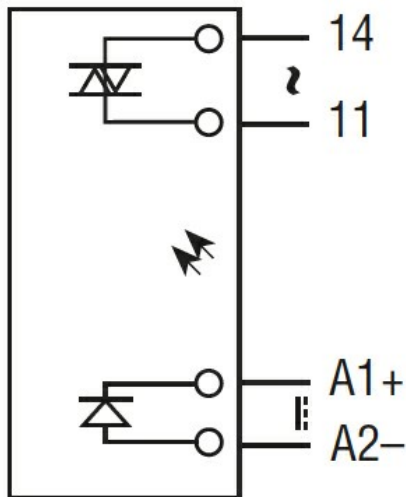
Dimensions



PCB layout



Wiring diagrams



Certifications and compliance

Compliance

IEC/EN 62314

Certificates

cURus

TÜV-SUD

ETIM classification

ETIM 8.0

EC002055 -
Solid state relay