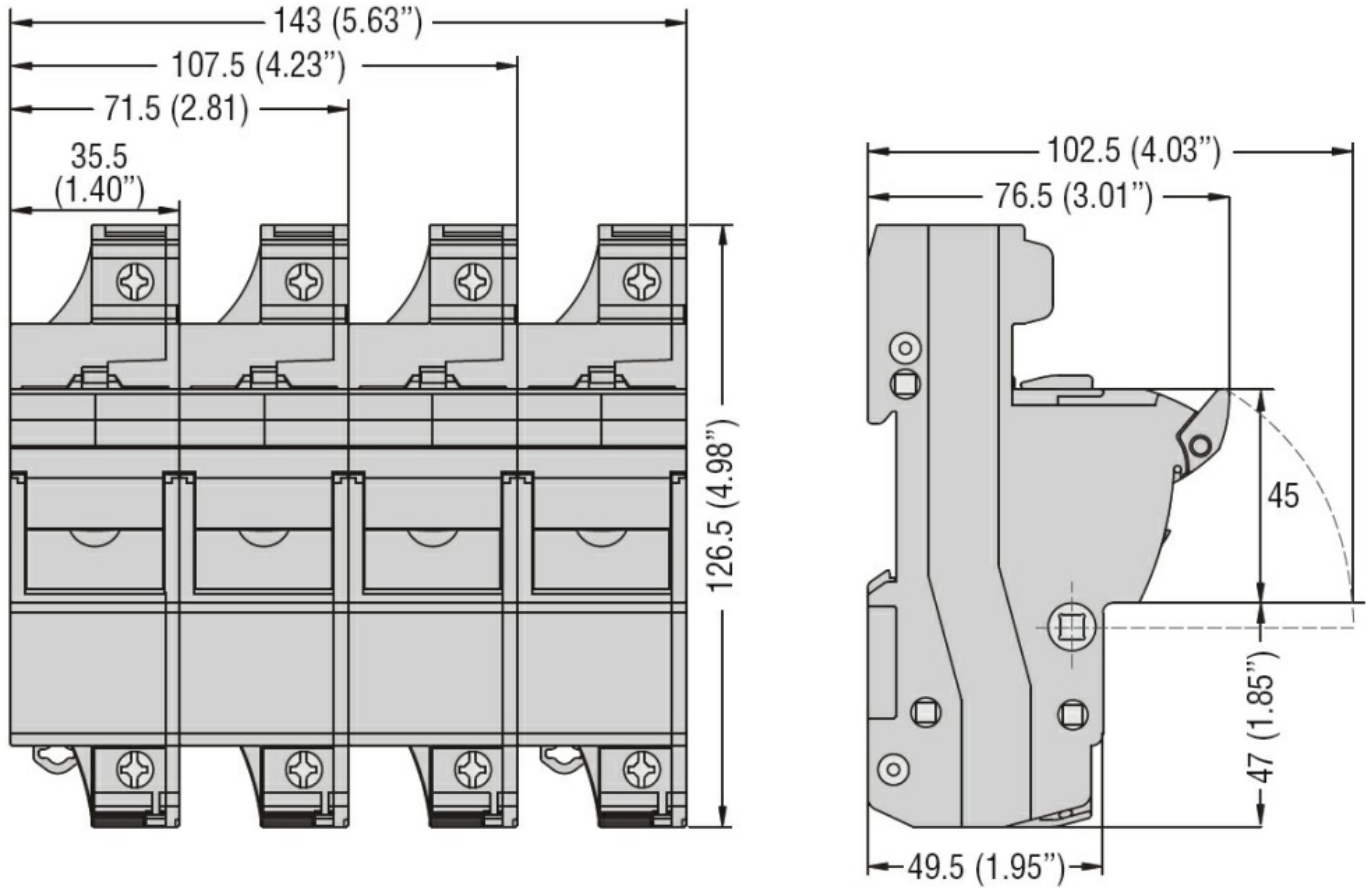


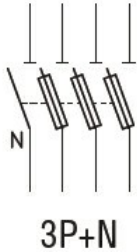


| | | | |
|---|---|-----------------|---------|
| Product designation | FB | | |
| Product type designation | Fuse holder | | |
| Number of DIN modules | 8 | | |
| Operating voltage type | AC | | |
| Electrical features | | | |
| IEC maximum rated current (In) | A | 125 | |
| IEC maximum rated voltage (Un) | V | 690 | |
| IEC Utilization category | AC21B 690V | | |
| Derating factor of rated current In for different ambient temperature | 20°C | 1 | |
| | 30°C | 0.95 | |
| | 40°C | 0.9 | |
| | 50°C | 0.8 | |
| | 60°C | 0.7 | |
| | 70°C | 0.5 | |
| | Derating factor of rated current In for side by side fuse holders (poles) | 1-4 | 1 |
| 5-6 | | 0.8 | |
| 7-9 | | 0.7 | |
| ≥10 | | 0.6 | |
| Rated current (In) | | A | 100/125 |
| Ambient conditions | | | |
| Operating temperature | min | °C | -20 |
| | max | °C | 70 |
| Storage temperature | min | °C | -40 |
| | max | °C | 80 |
| Max altitude | m | 3000 | |
| Mechanical features | | | |
| Operating position | normal | Vertical plan | |
| | allowable | Any | |
| Fixing | 35mm DIN rail | | |
| Tightening torque for terminals | max | Nm | 4 |
| | max | Ibin | 2.9 |
| Conductor section | Flexible max (IEC) | mm ² | 35 |
| | - Flexible max (AWG/kcmil) | | 2 |
| | Rigid max (IEC) | mm ² | 50 |
| | - Rigid max (AWG/kcmil) | | 1 |
| Weight | g | 720 | |
| Resistance & Protection | | | |
| Frontal IP degree | IP20 | | |

Dimensions



Wiring diagrams



Certifications and compliance

Compliance

- CSA C22.2 n°4248.1
- IEC/EN 60269-1
- IEC/EN 60269-2
- IEC/EN 60947-1
- IEC/EN 60947-3
- UL 4248-1

Certifications

- cURus
- EAC

ETIM classification

ETIM 8.0

EC002705 -
Holder for
cylindrical fuse