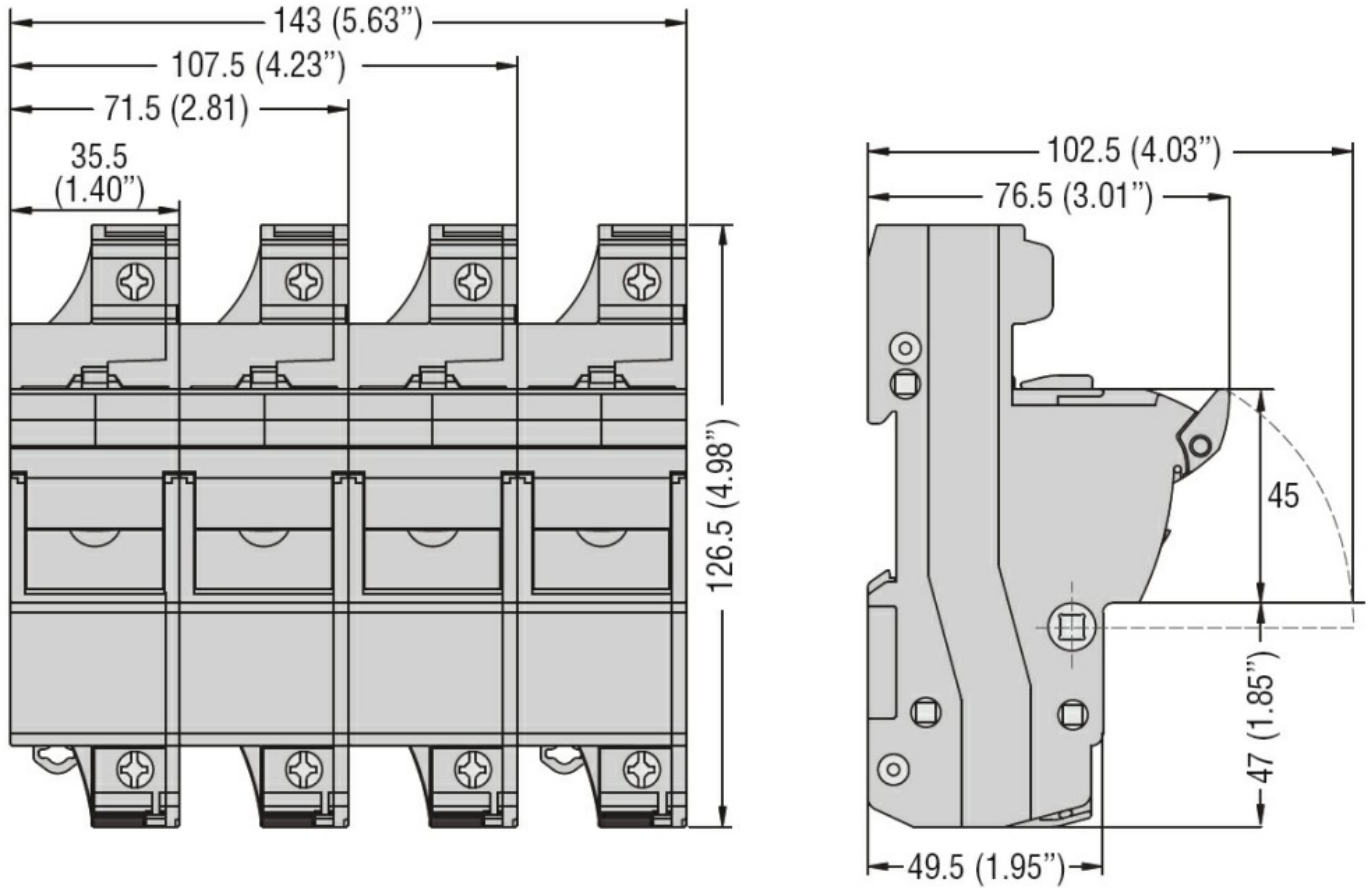




Product designation	FB		
Product type designation	Fuse holder		
Number of DIN modules	2		
Operating voltage type	AC		
Electrical features			
IEC maximum rated current (In)	A	125	
IEC maximum rated voltage (Un)	V	690	
IEC Utilization category	AC21B 690V		
Derating factor of rated current In for different ambient temperature			
	20°C	1	
	30°C	0.95	
	40°C	0.9	
	50°C	0.8	
	60°C	0.7	
	70°C	0.5	
Derating factor of rated current In for side by side fuse holders (poles)			
	1-4	1	
	5-6	0.8	
	7-9	0.7	
	≥10	0.6	
Rated current (In)	A	100/125	
Ambient conditions			
Operating temperature			
	min	°C	-20
	max	°C	70
Storage temperature			
	min	°C	-40
	max	°C	80
Max altitude	m	3000	
Mechanical features			
Operating position	normal allowable	Vertical plan Any	
Fixing	35mm DIN rail		
Tightening torque for terminals			
	max	Nm	4
	max	Ibin	2.9
Conductor section			
	Flexible max (IEC)	mm ²	35
	- Flexible max (AWG/kcmil)		2
	Rigid max (IEC)	mm ²	50
	- Rigid max (AWG/kcmil)		1
Weight		g	167
Resistance & Protection			
Frontal IP degree	IP20		

Dimensions



Wiring diagrams



Certifications and compliance

Compliance

- CSA C22.2 n°4248.1
- IEC/EN 60269-1
- IEC/EN 60269-2
- IEC/EN 60947-1
- IEC/EN 60947-3
- UL 4248-1

Certifications

- cURus
- EAC

ETIM classification

ETIM 8.0

EC002705 -
Holder for
cylindrical fuse