

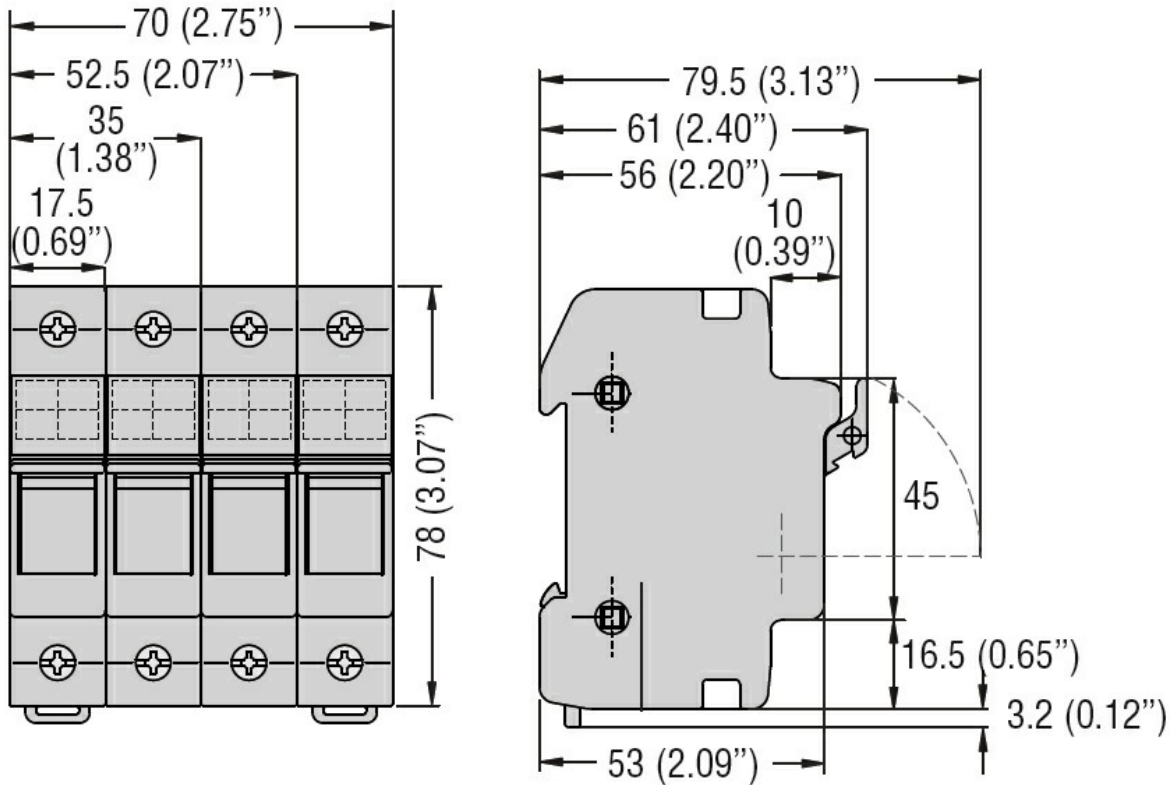


| | | | |
|---|----------------------------|-----------------|------|
| Product designation | Fuse holder | | |
| Product type designation | FB | | |
| Number of DIN modules | 2 | | |
| Operating voltage type | AC | | |
| Electrical features | | | |
| IEC maximum rated current (In) | A | 32 | |
| IEC maximum rated voltage (Un) | V | 690 | |
| IEC Utilization category | AC22B 500V - AC21B 690V | | |
| Derating factor of rated current In for different ambient temperature | | | |
| | 20°C | 1 | |
| | 30°C | 0.95 | |
| | 40°C | 0.9 | |
| | 50°C | 0.8 | |
| | 60°C | 0.7 | |
| | 70°C | 0.5 | |
| Derating factor of rated current In for side by side fuse holders (poles) | | | |
| | 1-4 | 1 | |
| | 5-6 | 0.8 | |
| | 7-9 | 0.7 | |
| | ≥10 | 0.6 | |
| Rated current (In) | A | 32 | |
| Ambient conditions | | | |
| Operating temperature | | | |
| | min | °C | -20 |
| | max | °C | +70 |
| Storage temperature | | | |
| | min | °C | -40 |
| | max | °C | +80 |
| Max altitude | | m | 3000 |
| Mechanical features | | | |
| Operating position | | | |
| | normal allowable | Vertical plan | |
| | | Any | |
| Fixing | 35mm DIN rail | | |
| Tightening torque for terminals | | | |
| | max | Nm | 2.5 |
| | max | Ibin | 22 |
| Conductor section | | | |
| | Flexible max (IEC) | mm ² | 16 |
| | - Flexible max (AWG/kcmil) | | 8 |
| | Rigid max (IEC) | mm ² | 16 |
| | - Rigid max (AWG/kcmil) | | 8 |
| Weight | | g | 127 |
| Resistance & Protection | | | |

Frontal IP degree

IP20

Dimensions



Wiring diagrams



1P+N

Certifications and compliance

Compliance

IEC/EN 60269-1

IEC/EN 6069-2

IEC/EN 60947-1

IEC/EN 60947-3

Certifications

EAC

ETIM classification

ETIM 8.0

EC002705 -
Holder for
cylindrical fuse