



Electric fire pump controller, supply 24VAC or 100-240VAC, built-in RS485, expandable with EXP.. Modules FFL...EP

Product designation

Product type designation

Auxiliary supply

Rated auxil. supply voltage 24VAC/110...240VAC

Operating auxil. supply voltage range 19.2...28.8VAC / 90...264VAC

Operating frequency range Hz 45...66Hz

Voltage inputs

Rated voltage Us

min	VAC	100
Max	VAC	600

Measurement range V 100...720

Frequency range Hz 45...66

NTC probe input

Sensor type NTC (LOVATO code NTC01)

Measuring range °C -40...+85

Maximum connection length mt 3m

Digital inputs

Number of digital input Nr. 8

Digital input type Negative

Digital input current mA ≤6

High digital input signal V ≥4.9V (typical 3.8V)

Low digital input signal V ≤1.25V (typical 2.3V)

Digital input signal delay ms ≥50

Current inputs

Rated current (Ie) A /1A or /5A

Relay outputs

Number of relay output Nr. 9

Mechanical endurance 10⁷

Electrical endurance 10⁵

Static Outputs

Number of static output 1 (OUT10)

Static output type NO

Operating voltage V 10...30VDC

Maximum current mA 50mA

RS485 serial interface

Interface type Isolated RS485 serial interface

Baud rate bps 1200...115200

Insulation voltage (RS485-Vbatt)	1kVDC
----------------------------------	-------

Connections

Type of terminal	Removable screw-type
------------------	----------------------

Conductor cross section	AWG/Kcmil	min	AWG	24
		Max	AWG	12
	IEC	min	mm ²	0.2
		Max	mm ²	2.5

Tightening torque for terminals	max	Nm	0.56
	max	lbin	5

Ambient conditions

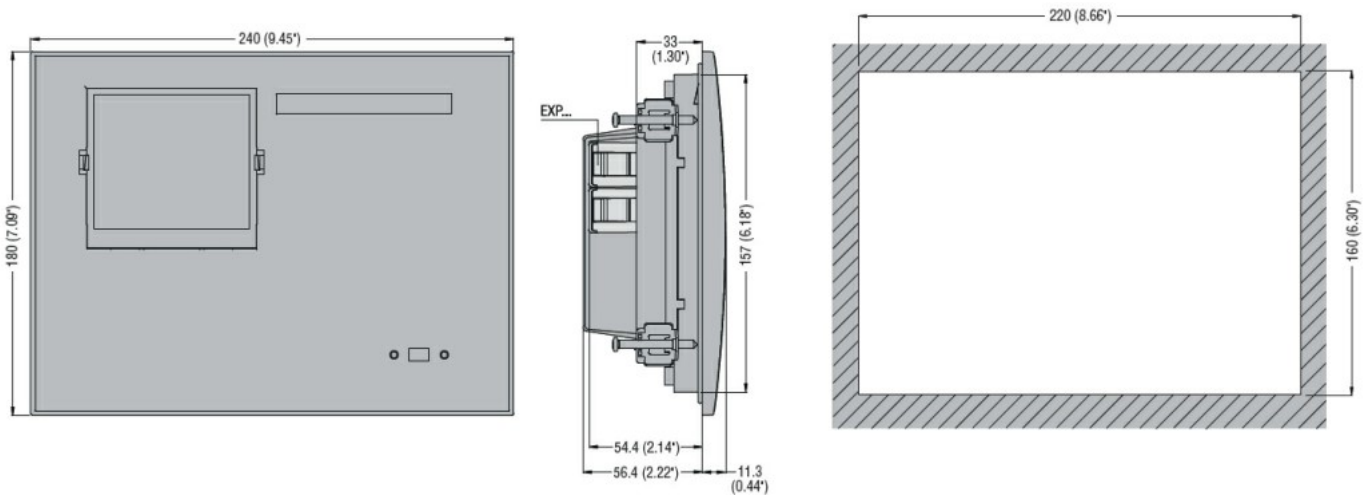
Temperature	Operating temperature	min	°C	-25
		max	°C	+70
	Storage temperature	min	°C	-30
		max	°C	+80

Relative humidity	%	<80% (IEC/EN 60068-2-78)
-------------------	---	--------------------------

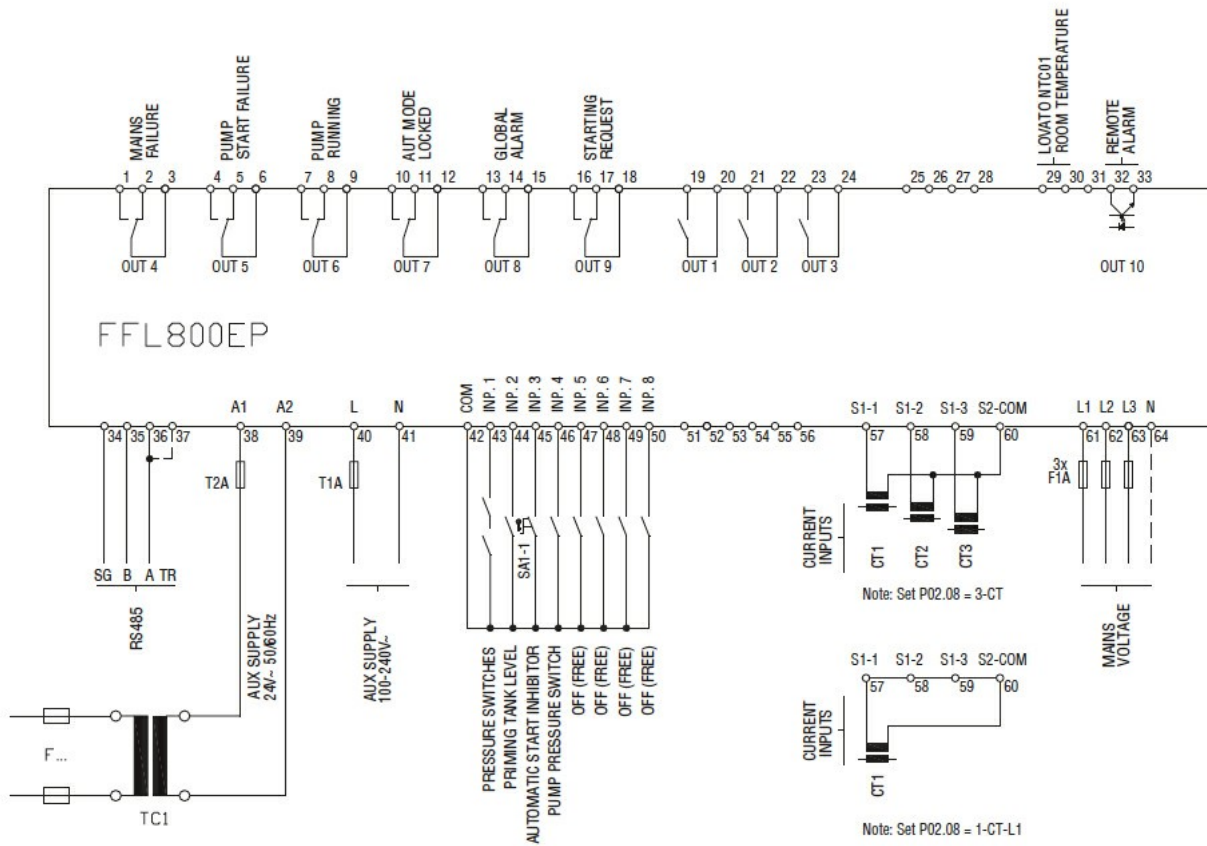
Housing

Execution	Flush-mount
Material	Polycarbonate
Degree of protection	IP65 Frontal; IP20 on terminals
Dimensions (W x H x D)	mm 240 x 180 x 43.9
Weight	g 980

Dimensions



Wiring diagrams



Certifications and compliance

Compliance

- IEC/EN 61000-6-2
- IEC/EN 61000-6-3
- IEC/EN 61010-1
- IEC/EN 61010-2-030
- UNI EN 12845

Certificates

/

ETIM classification

ETIM 8.0

EC002685 -
Central fire alarm
control panel