



Electric fire pump controller, supply 24VAC, built-in RS485, not expandable FFL...EP

Product designation

Product type designation

**Auxiliary supply**

Rated auxil. supply voltage	24VAC
Operating auxil. supply voltage range	19.2...28.8VAC
Operating frequency range	Hz 45...66Hz

**Voltage inputs**

Rated voltage Us	min	VAC	100
	Max	VAC	600
Measurement range		V	100...720
Frequency range		Hz	45...66

**NTC probe input**

Sensor type	NTC (LOVATO code NTC01)
Measuring range	°C -40...+85
Maximum connection length	mt 3m

**Digital inputs**

Number of digital input	Nr.	8
Digital input type		Negative
Digital input current	mA	≤6
High digital input signal	V	≥4.9V (typical 3.8V)
Low digital input signal	V	≤1.25V (typical 2.3V)
Digital input signal delay	ms	≥50

**Current inputs**

Rated current (Ie)	A	/1A or /5A
--------------------	---	------------

**Relay outputs**

Number of relay output	Nr.	7
Mechanical endurance		10 <sup>7</sup>
Electrical endurance		10 <sup>5</sup>

**Static Outputs**

Number of static output		1 (OUT10)
Static output type		NO
Operating voltage	V	10...30VDC
Maximum current	mA	50mA

**RS485 serial interface**

Interface type		Isolated RS485 serial interface
Baud rate	bps	1200...115200
Insulation voltage (RS485-Vbatt)		1kVDC

### Connections

Type of terminal	Removable screw-type		
Conductor cross section			
AWG/Kcmil	min	AWG	24
	Max	AWG	12
IEC	min	mm <sup>2</sup>	0.2
	Max	mm <sup>2</sup>	2.5
Tightening torque for terminals	max	Nm	0.56
	max	lbin	5

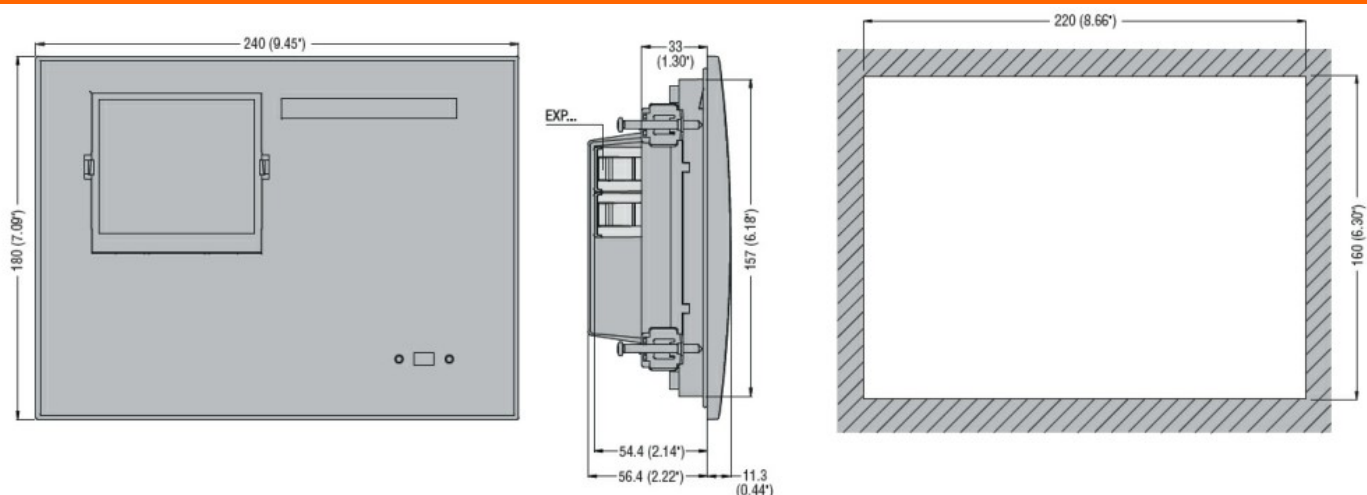
### Ambient conditions

Temperature	Operating temperature		
	min	°C	-25
	max	°C	+70
	Storage temperature		
	min	°C	-30
	max	°C	+80
Relative humidity			% <80% (IEC/EN 60068-2-78)

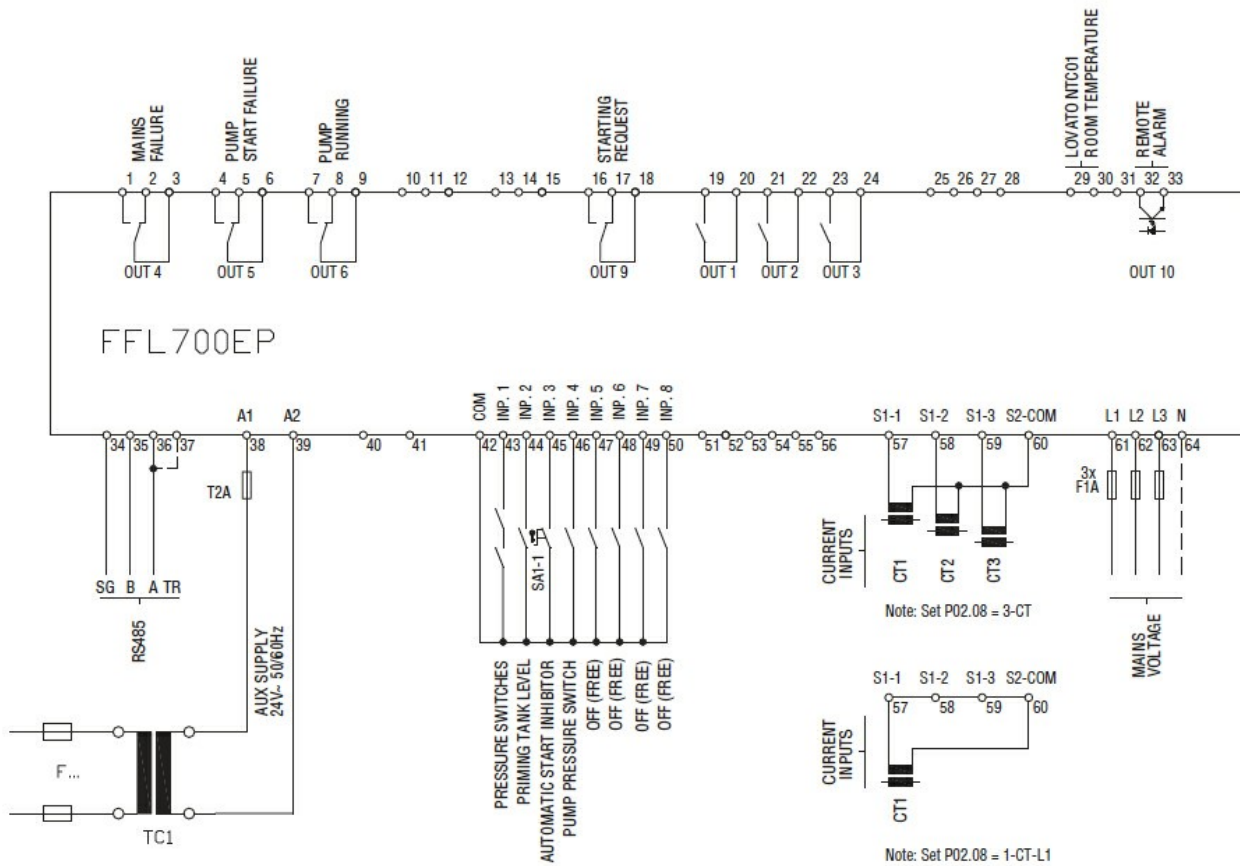
### Housing

Execution	Flush-mount
Material	Polycarbonate
Degree of protection	IP65 Frontal; IP20 on terminals
Dimensions (W x H x D)	mm 240 x 180 x 43.9
Weight	g 980

### Dimensions



### Wiring diagrams



**Certifications and compliance**

**Compliance**

- IEC/EN 61000-6-2
- IEC/EN 61000-6-3
- IEC/EN 61010-1
- IEC/EN 61010-2-030
- UNI EN 12845

**Certificates**

/

**ETIM classification**

ETIM 8.0

EC002685 -  
Central fire alarm  
control panel