



Expansion modules for flush-mount products - input/output EXP1043T

Product designation

Product type designation

General characteristics

Description

4 digital inputs and 2 static outputs

Functions

Inputs and outputs

Compatibility with LOVATO Electric product

Automatic power factor controllers

DCRG8

Yes

Fire pump controllers

FFL800

Yes

FFLRA400

Yes

Engine and generator controllers

RGK4

Yes

RGK610

Yes

RGK750/RGK8/RGK9

Yes

Input and Output

Digital inputs

Number of digital input	Nr.	4
-------------------------	-----	---

Analog outputs

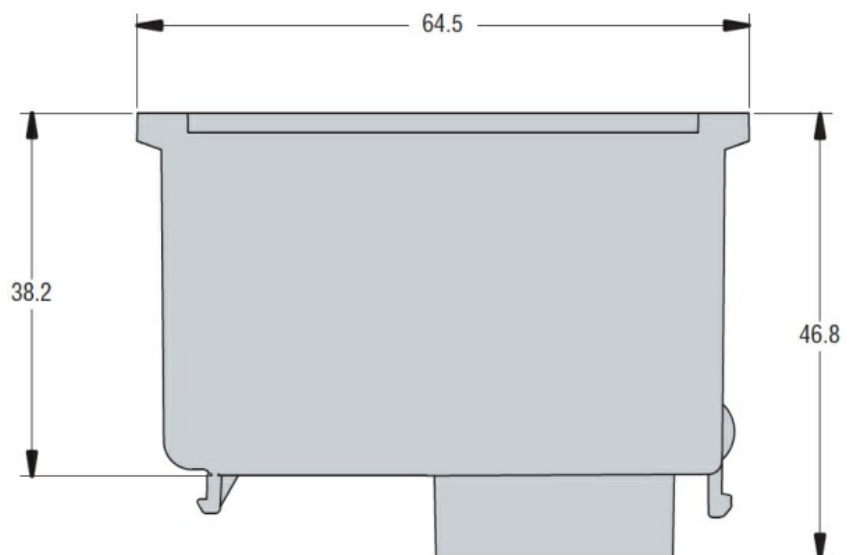
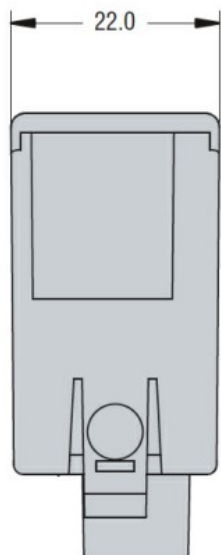
Number of analog output	Nr.	2
-------------------------	-----	---

Mechanical features

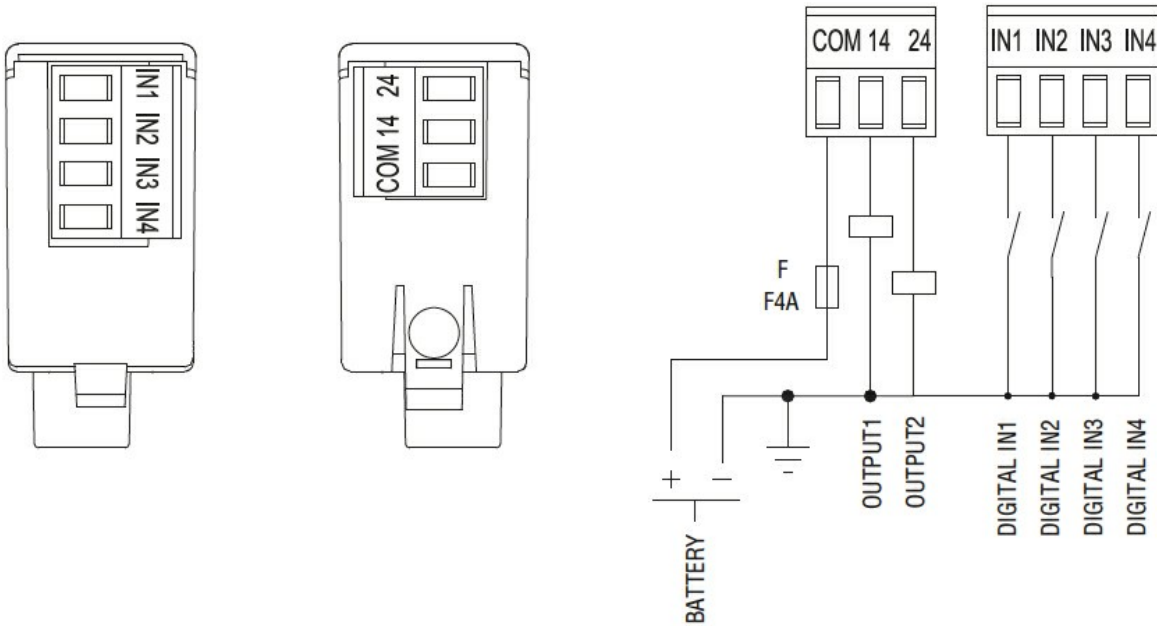
Weight

g 54

Dimensions



Wiring diagrams



Certifications and compliance

Compliance

CAN/CSA C22.2 n°14-13
IEC/EN 60947-6-1
IEC/EN 61000-6-2
IEC/EN 61000-6-3
IEC/EN 61010-1
IEC/EN 61010-2-030
UL508

Certificates

cULus

ETIM classification

ETIM 8.0

EC002498 -
Accessories/spare
parts for low-
voltage switch
technology