



Expansion modules for flush-mount products - input/output EXP1042T

Product designation

Product type designation

General characteristics

Description	6 digital inputs	
Functions	Inputs and outputs	
Compatibility with LOVATO Electric product		
Automatic power factor controllers	DCRG8	Yes
Fire pump controllers	FFL800	Yes
	FFLRA400	Yes
Engine and generator controllers	RGK610	Yes
	RGK750/RGK8/RGK9	Yes

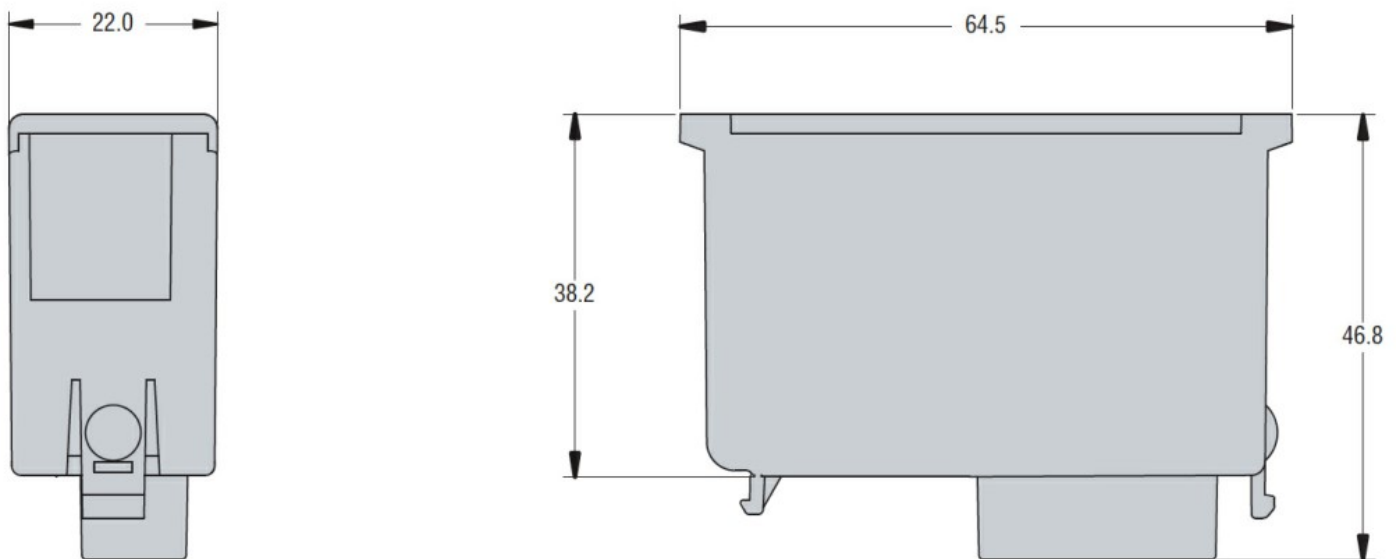
Input and Output

Digital inputs	Number of digital input	Nr.	6
----------------	-------------------------	-----	---

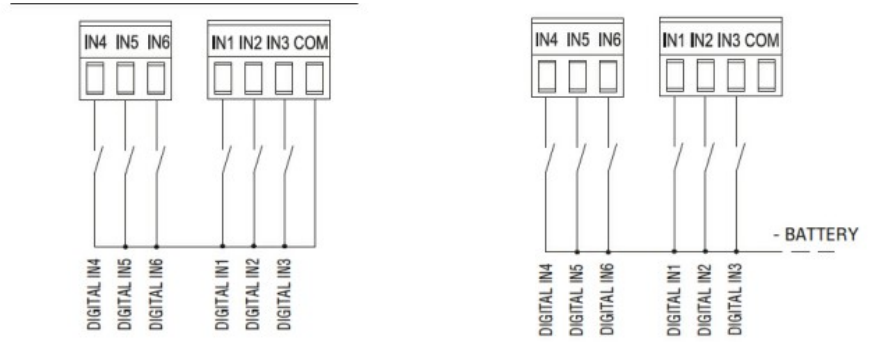
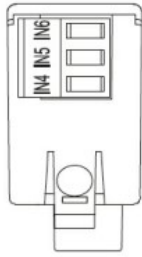
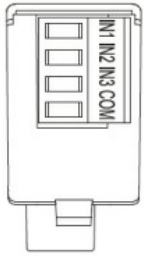
Mechanical features

Weight	g	54
--------	---	----

Dimensions



Wiring diagrams



Certifications and compliance

Compliance

CAN/CSA C22.2 n°14-13

IEC/EN 60947-6-1

IEC/EN 61000-6-2

IEC/EN 61000-6-3

IEC/EN 61010-1

IEC/EN 61010-2-030

UL508

Certificates

cULus

ETIM classification

ETIM 8.0

EC002498 -
Accessories/spare
parts for low-
voltage switch
technology