



Expansion modules for flush-mount products - various functionalities  
EXP1031

Product designation

Product type designation

**General characteristics**

Description

Data storage, clock-calendar with Energy Quality (EN 50160)

Functions

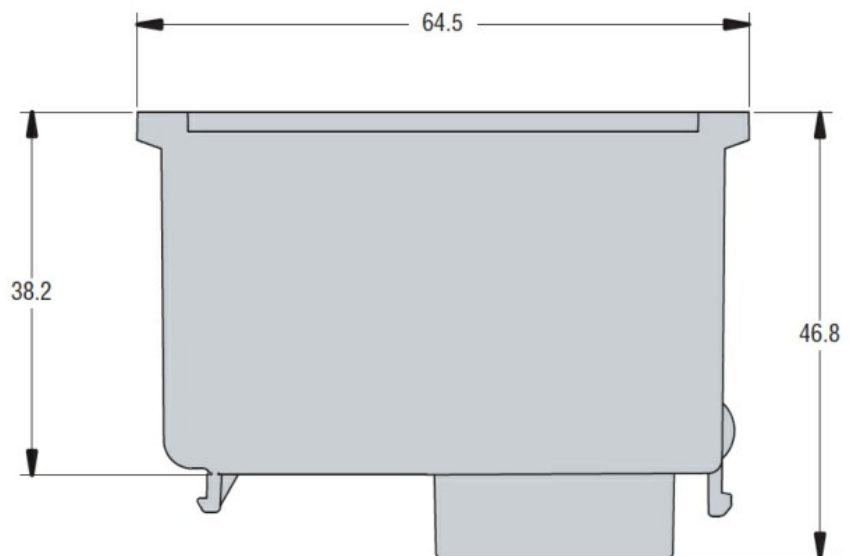
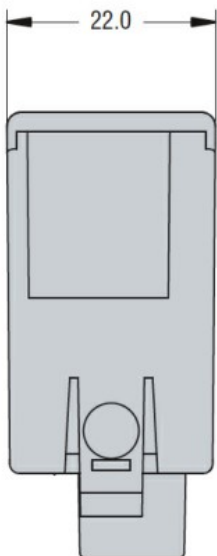
Data storage

**Mechanical features**

Weight

g 50

**Dimensions**



**Certifications and compliance**

Compliance

CSA C22.2 n° 14

IEC/EN 61000-6-2

IEC/EN 61000-6-3

IEC/EN 61010-1

UL508

Certificates

cULus

EAC

**ETIM classification**

ETIM 8.0

EC002498 -  
Accessories/spare  
parts for low-  
voltage switch  
technology