



Expansion modules for flush-mount products - various functionalities  
EXP1030

Product designation

Product type designation

**General characteristics**

Description

Data storage, clock-calendar

Functions

Data storage

Compatibility with LOVATO Electric product

Automatic power factor controllers

DCRG8

Yes

Automatic transfer switch controllers

ATL800/900

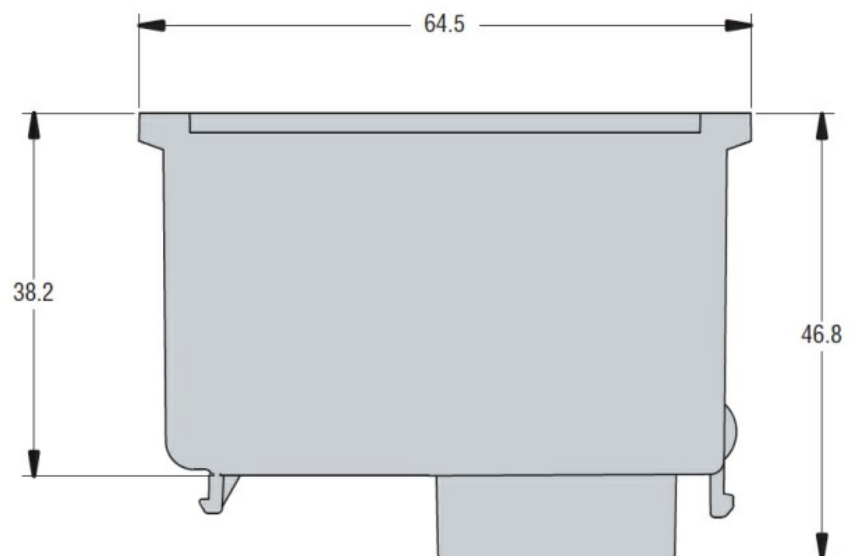
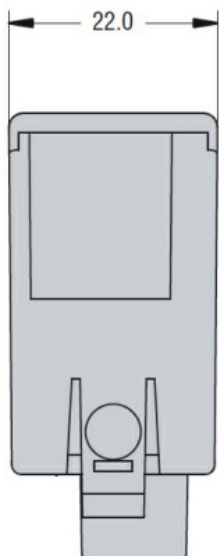
Yes

**Mechanical features**

Weight

g 50

**Dimensions**



**Certifications and compliance**

Compliance

CSA C22.2 n° 14

IEC/EN 61000-6-2

IEC/EN 61000-6-3

IEC/EN 61010-1

UL508

Certificates

cULus

EAC

ETIM classification

ETIM 8.0

EC002498 -  
Accessories/spare  
parts for low-  
voltage switch  
technology