



Expansion modules for flush-mount products - various functionalities
EXP1016

Product designation

Product type designation

General characteristics

Description

Capacitor bank protection

Functions

Capacitor bank protections

Compatibility with LOVATO Electric product

Automatic power factor controllers

DCRG8

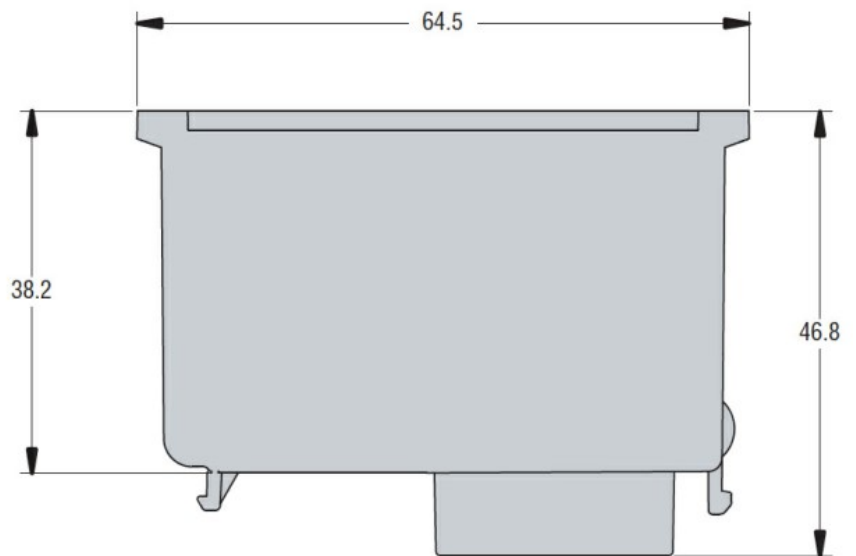
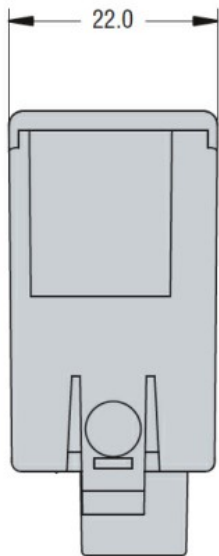
Yes

Mechanical features

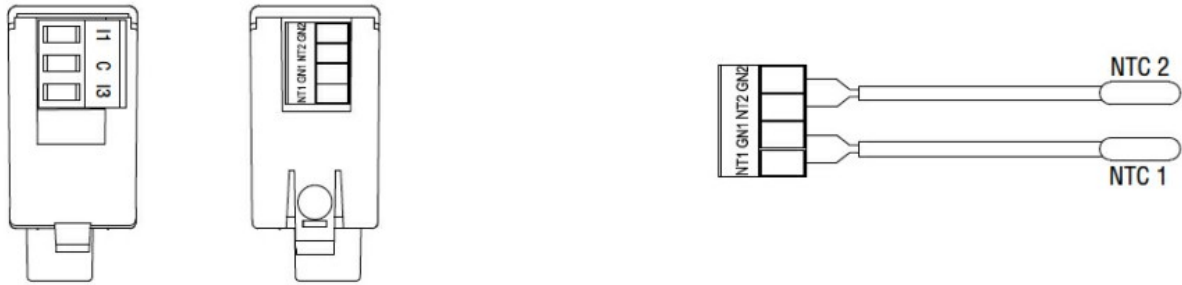
Weight

g 80

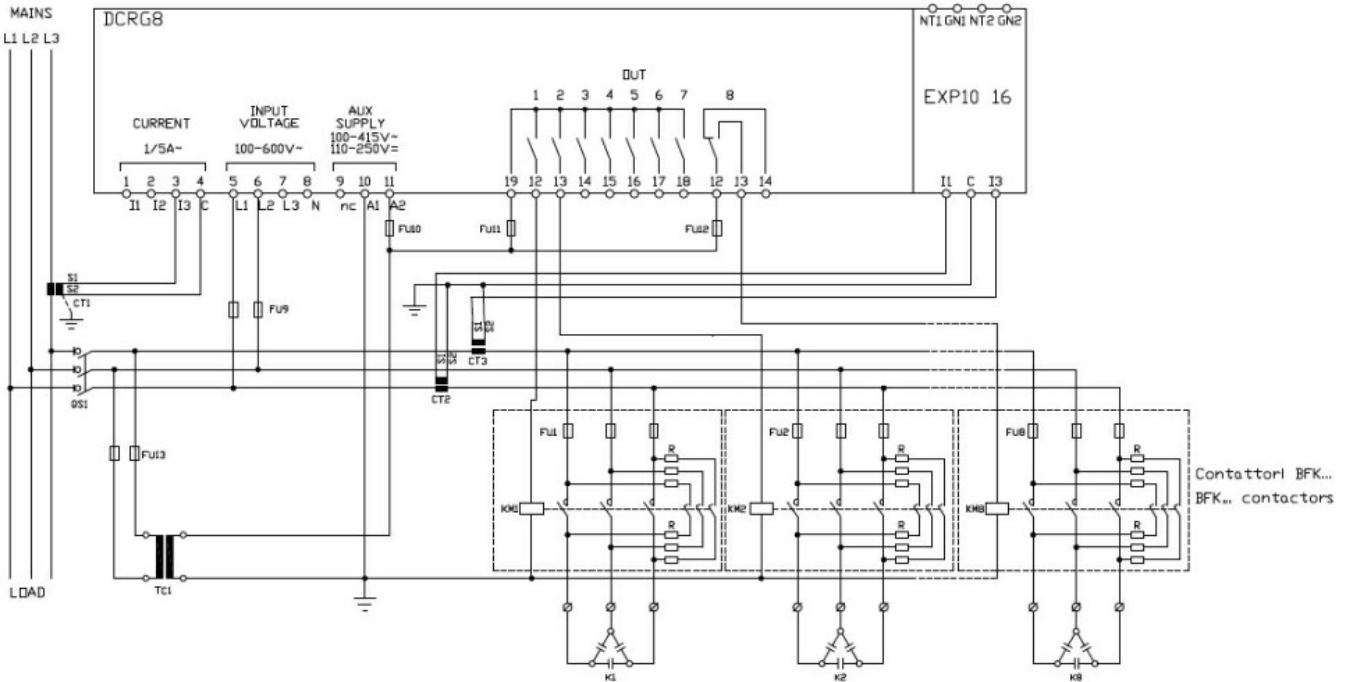
Dimensions



Wiring diagrams



Harmonic current measurements / Misura correnti armoniche



Certifications and compliance

Compliance

- CSA C22.2 n° 14
- IEC/EN 61000-6-2
- IEC/EN 61000-6-3
- IEC/EN 61010-1
- UL508

Certificates

- cULus
- EAC

ETIM classification

ETIM 8.0

EC002498 -
Accessories/spare
parts for low-
voltage switch
technology