



Expansion modules for flush-mount products - various functionalities
EXP1015

Product designation

Product type designation

General characteristics

| | | |
|--|---------------------|-----|
| Description | GPRS/GSM modem | |
| Functions | Communication ports | |
| Compatibility with LOVATO Electric product | | |
| Automatic power factor controllers | DCRG8 | Yes |
| Fire pump controllers | FFL800 | Yes |
| | FFLRA400 | Yes |
| Engine and generator controllers | RGK750/RGK8/RGK9 | Yes |

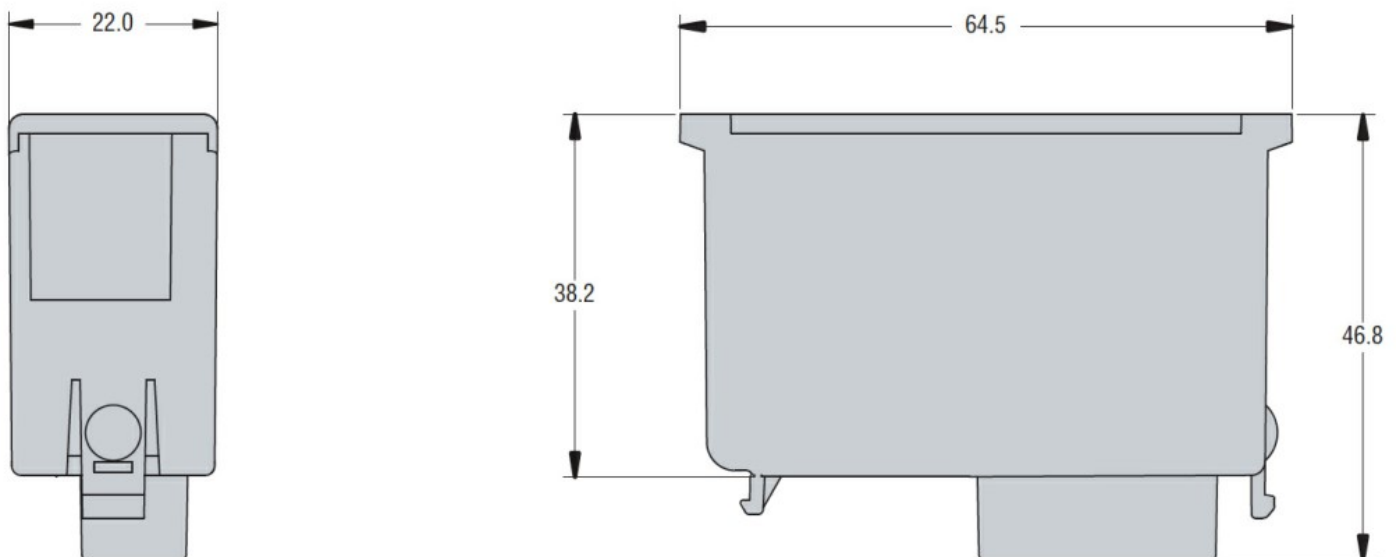
Monitoring method

| | |
|--------------------------------------|---------------|
| Transmission technology | GSM-GPRS (2G) |
| Connectivity with Synergy and Xpress | Yes |
| SMS and mail sending | Yes |

Mechanical features

| | | |
|--------|---|----|
| Weight | g | 80 |
|--------|---|----|

Dimensions



Certifications and compliance

Compliance

CAN/ICES-003

EN 301511

ETSI EN 301 469-7

ETSI EN 301 489-1

IEC/EN 61010-1

IEC/EN 62311

Subpart B

USA/FCC 47 CFR part 15

Certificates

cULus

EAC

ETIM classification

ETIM 8.0

EC002498 -
Accessories/spare
parts for low-
voltage switch
technology