



Expansion modules for flush-mount products - communication port EXP1014

Product designation

Product type designation

**General characteristics**

Description

Opto-isolated Profibus-DP interface

Functions

Communication ports

Compatibility with LOVATO Electric product

Digital power analyzers

DMG7000	Yes
DMG7500	Yes
DMG8000	Yes
DMG9000	Yes

Automatic power factor controllers

DCRG8	Yes
-------	-----

Automatic transfer switch contrllers

ATL800/900	Yes
------------	-----

**Communications**

Type of communication port

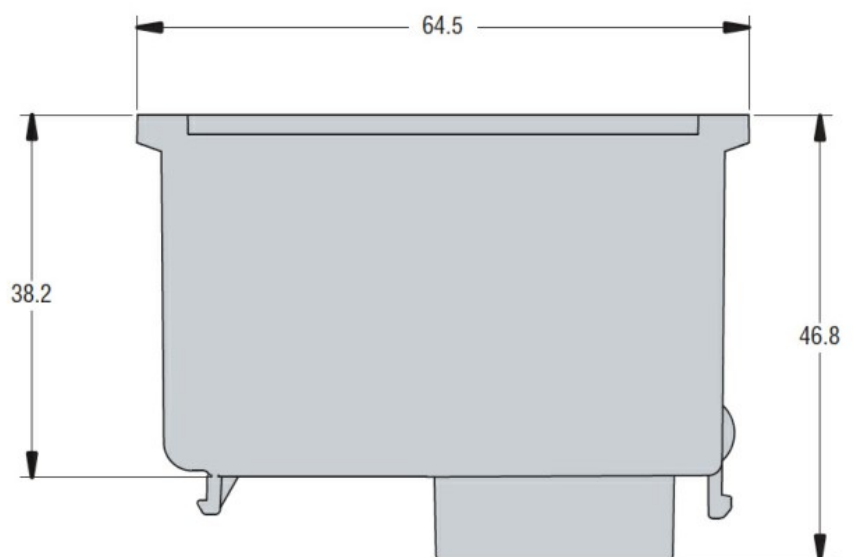
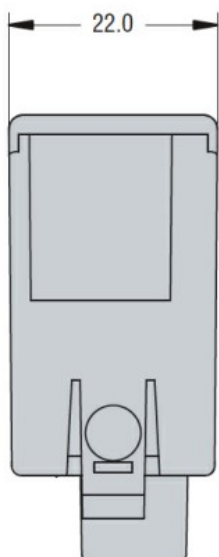
Profibus

**Mechanical features**

Weight

g 80

**Dimensions**



**Certifications and compliance**

Compliance

CSA C22.2 n° 14

IEC/EN 61000-6-2

IEC/EN 61000-6-3

IEC/EN 61010-1

UL508

Certificates

cULus

EAC

ETIM classification

ETIM 8.0

EC002498 -  
Accessories/spare  
parts for low-  
voltage switch  
technology