



Expansion modules for flush-mount products - communication port EXP1013T

Product designation

Product type designation

General characteristics

Description

Opto-isolated Ethernet interface

Functions

Communication ports

Compatibility with LOVATO Electric product

Digital multimeters

DMG600/601/611

Yes

Digital power analyzers

DMG7000

Yes

DMG7500

Yes

DMG8000

Yes

DMG9000

Yes

Automatic power factor controllers

DCRL8

Yes

DCRG8

Yes

Automatic transfer switch controllers

ATL610

Yes

ATL800/900

Yes

Fire pump controllers

FFL800

Yes

FFLRA400

Yes

Engine and generator controllers

RGK750/RGK8/RGK9

Yes

Communications

Type of communication port

Ethernet

Interface

Ethernet communication

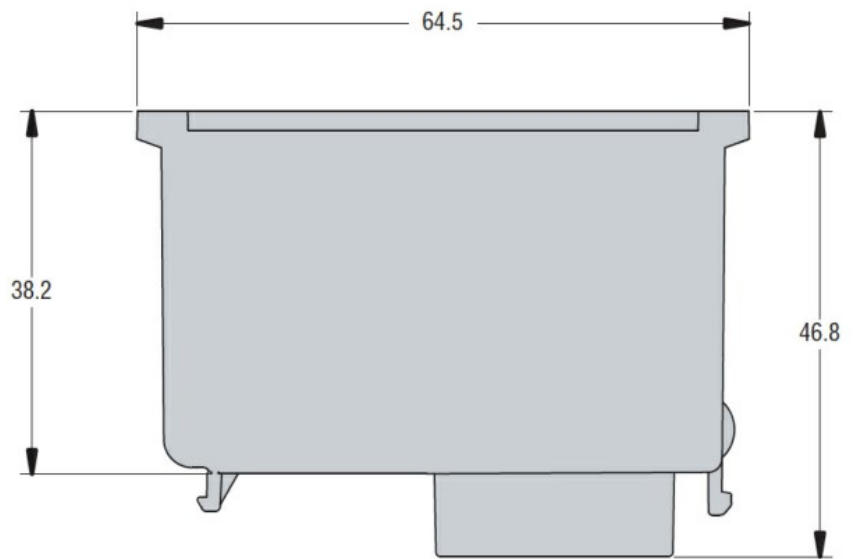
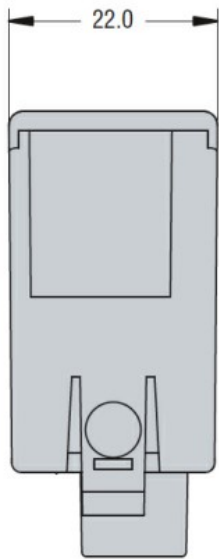
Yes

Mechanical features

Weight

g 60

Dimensions



Certifications and compliance

Compliance

CSA C22.2 n° 14
IEC/EN 61000-6-2
IEC/EN 61000-6-3
IEC/EN 61010-1
UL508

Certificates

cULus
EAC

ETIM classification

ETIM 8.0

EC002498 -
Accessories/spare
parts for low-
voltage switch
technology