



Expansion modules for flush-mount products - communication port  
EXP1010

Product designation

Product type designation

**General characteristics**

Description

Opto-isolated USB interface

Functions

Communication ports

Compatibility with LOVATO Electric product

IP		
	PMVF3000	Yes
Digital multimeters	DMG600/601/611	Yes
Digital power analyzers	DMG7000	Yes
	DMG7500	Yes
	DMG8000	Yes
	DMG9000	Yes
Automatic power factor controllers	DCRL3/5	Yes
	DCRG8	Yes
Automatic transfer switch controllers	ATL610	Yes
	ATL800/900	Yes
Engine and generator controllers	RGK610	Yes
	RGK750/RGK8/RGK9	Yes

**Communications**

Type of communication port

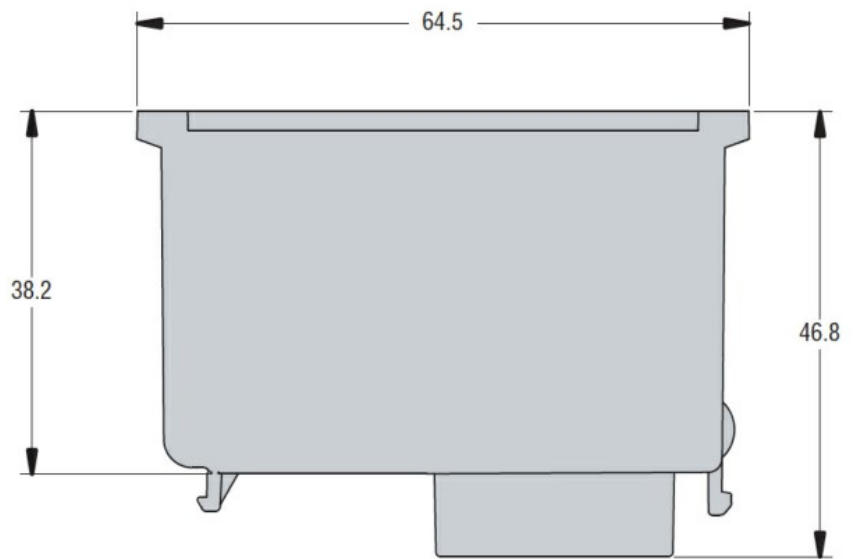
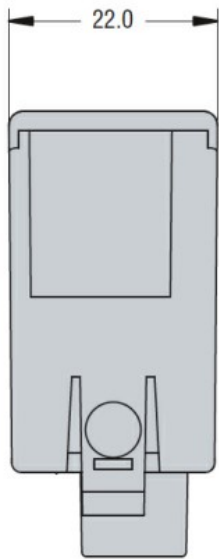
USB

**Mechanical features**

Weight

g 60

**Dimensions**



**Certifications and compliance**

Compliance

CSA C22.2 n° 14  
IEC/EN 61000-6-2  
IEC/EN 61000-6-4  
IEC/EN 61010-1  
UL508

Certificates

cULus  
EAC

**ETIM classification**

ETIM 8.0

EC002498 -  
Accessories/spare  
parts for low-  
voltage switch  
technology