



Expansion  
modules for  
flush-mount  
products -  
input/output  
EXP1008

Product designation

Product type designation

**General characteristics**

Description

2 opto-isolated  
digital inputs and  
2 relay outputs  
rated 5A 250VAC

Functions

Inputs and  
outputs

Rated power supply voltage

5A 250VAC

Compatibility with LOVATO Electric product

Digital multimeters

DMG600/601/611

Yes

Digital power analyzers

DMG7000  
DMG7500  
DMG8000  
DMG9000

Yes  
Yes  
Yes  
Yes

Automatic power factor controllers

DCRG8

Yes

Automatic transfer switch controllers

ATL610  
ATL800/900

Yes  
Yes

Fire pump controllers

FFLRA400

Yes

Engine and generator controllers

RGK750/RGK8/RGK9

Yes

**Input and Output**

Digital inputs

Number of digital input	Nr.	2
-------------------------	-----	---

Digital outputs

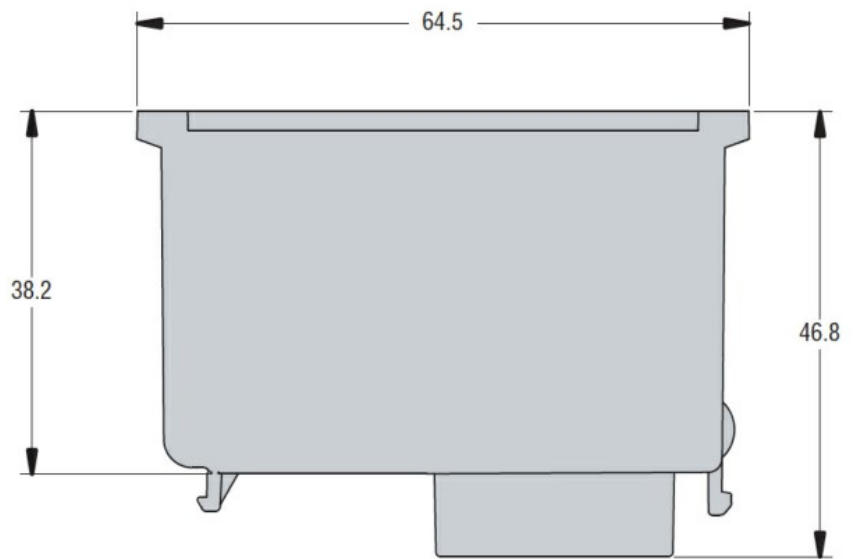
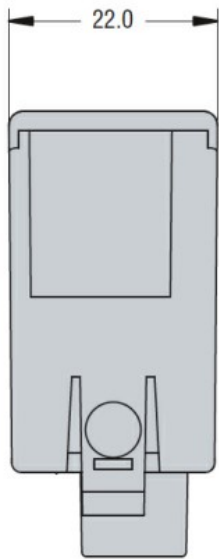
Number of digital output	Nr.	2
--------------------------	-----	---

**Mechanical features**

Weight

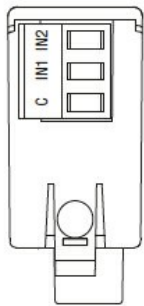
g 58

**Dimensions**



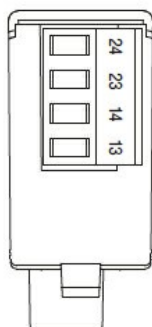
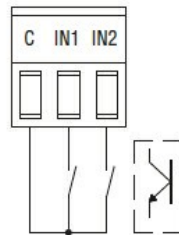
**Wiring diagrams**

Disposizione morsetti degli ingressi digitali  
Terminal arrangement of digital inputs



Ingressi da contatto non tensionato  
Free voltage contact inputs

Connessione PNP  
PNP connection



OUT 1



OUT 2



**Certifications and compliance**

Compliance

CSA C22.2 n° 14

IEC/EN 61000-6-2

IEC/EN 61000-6-3

IEC/EN 61010-1

UL508

Certificates

cULus

EAC

ETIM classification

ETIM 8.0

EC002498 -  
Accessories/spare  
parts for low-  
voltage switch  
technology