



Expansion modules for flush-mount products - input/output EXP1007

Product designation

Product type designation

**General characteristics**

Description

3 relay outputs to increase number of steps

Functions

Inputs and outputs

Compatibility with LOVATO Electric product

Automatic power factor controllers

DCRL3/5

Yes

DCRG8

Yes

Automatic transfer switch controllers

ATL610

Yes

**Input and Output**

Digital outputs

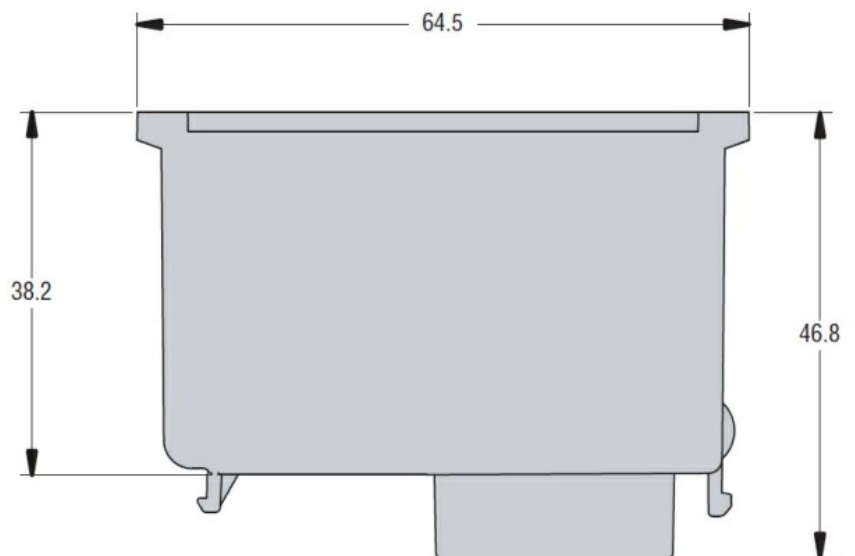
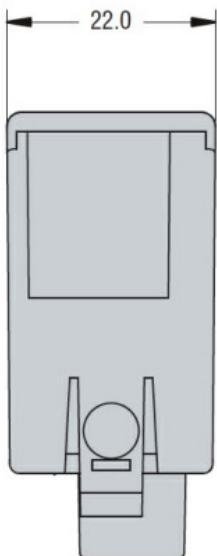
Number of digital output	Nr.	3
--------------------------	-----	---

**Mechanical features**

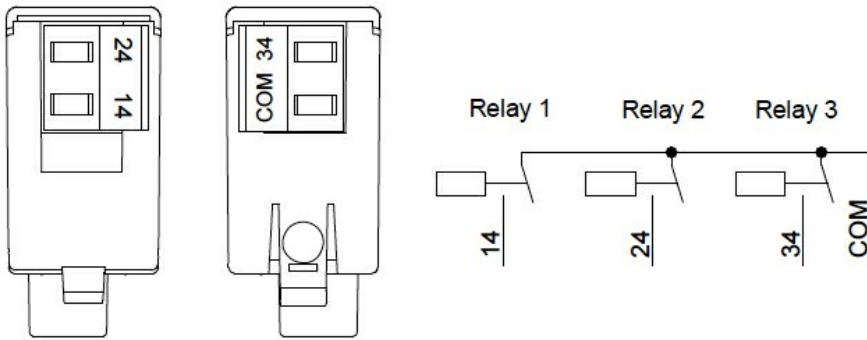
Weight

g 85

**Dimensions**



**Wiring diagrams**



### Certifications and compliance

#### Compliance

CSA C22.2 n° 14

IEC/EN 61000-6-2

IEC/EN 61000-6-3

IEC/EN 61010-1

UL508

#### Certificates

cULus

EAC

### ETIM classification

ETIM 8.0

EC002498 -  
Accessories/spare  
parts for low-  
voltage switch  
technology