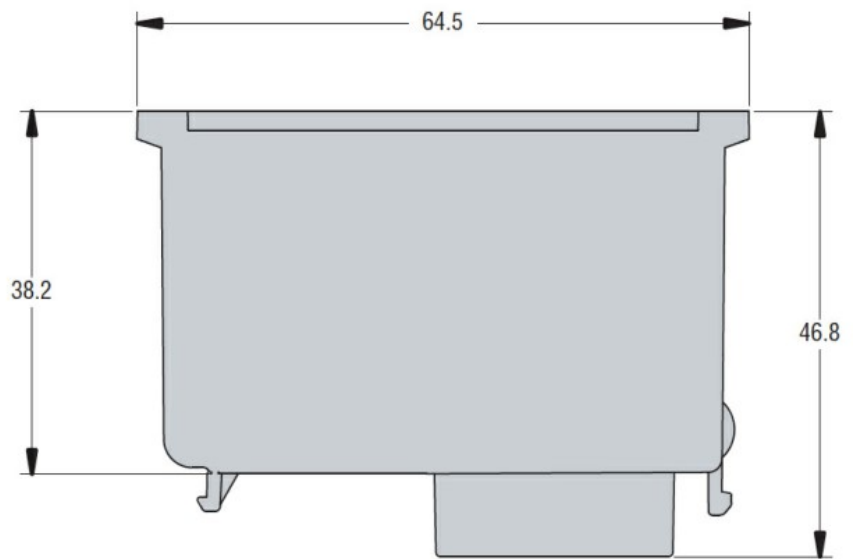
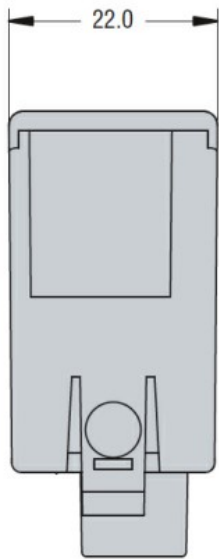
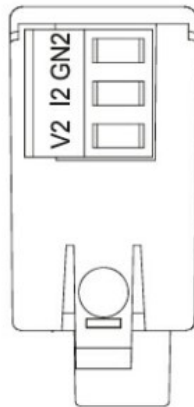
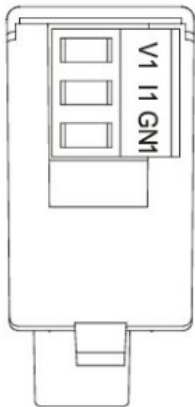




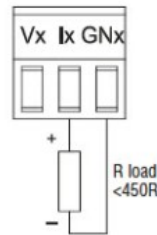
Product designation	Expansion modules for flush-mount products - input/output EXP1005		
Product type designation	EXP1005		
General characteristics			
Description	2 analog outputs, opto-isolated 0/4...20mA, 0-10V or 0...±5V		
Functions	Inputs and outputs		
Compatibility with LOVATO Electric product	Digital power analyzers		
	DMG7000		Yes
	DMG7500		Yes
	DMG8000		Yes
	DMG9000		Yes
	Automatic power factor controllers		
	DCRG8		Yes
	Automatic transfer switch controllers		
	ATL800/900		Yes
	Engine and generator controllers		
	RGK750/RGK8/RGK9		Yes
Input and Output			
Analog outputs	Number of analog output	Nr.	2
	Analog output type		0...10V, -5...+5V, 0...20mA
Mechanical features			
Weight		g	64
Dimensions			



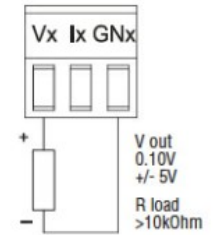
Wiring diagrams



Connessione per uscita di corrente
Current output connection
Connexion pour sortie en current
Conexión salida corriente



Connessione per uscita di tensione
Voltage output connection
Connexion pour sortie tension
Conexión salida tensión



Certifications and compliance

Compliance

CSA C22.2 n° 14
IEC/EN 61000-6-2
IEC/EN 61000-6-3
IEC/EN 61010-1
UL508

Certificates

cULus
EAC

ETIM classification

ETIM 8.0

EC002498 -
Accessories/spare
parts for low-
voltage switch
technology