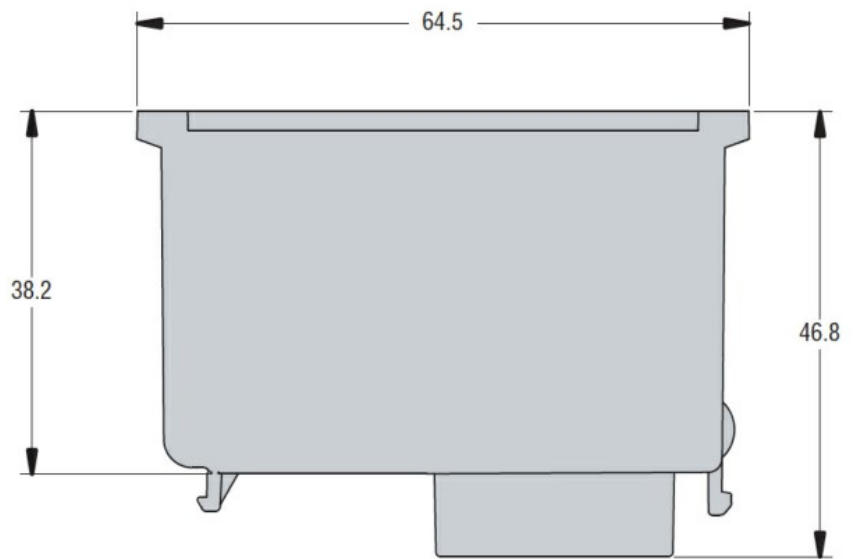
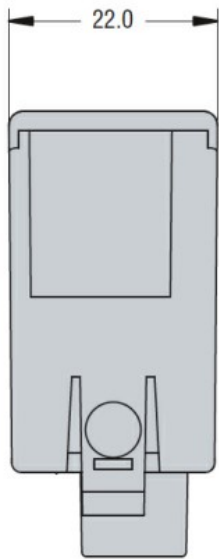
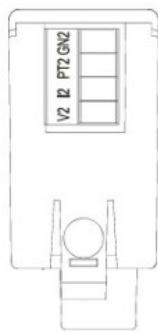
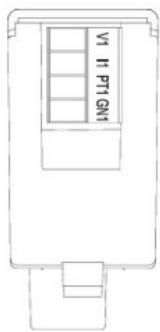




Product designation	Expansion modules for flush-mount products - input/output EXP1004T		
Product type designation	EXP1004T		
General characteristics			
Description	2 analog inputs, opto-isolated 0/4...20mA or PT100 or 0...10V or 0...±5V		
Functions	Inputs and outputs		
Compatibility with LOVATO Electric product			
Digital power analyzers	DMG7000		Yes
	DMG7500		Yes
	DMG8000		Yes
	DMG9000		Yes
Automatic power factor controllers	DCRG8		Yes
Automatic transfer switch contrllers	ATL800/900		Yes
Fire pump controllers	FFL800		Yes
Engine and generator controllers	RGK750/RGK8/RGK9		Yes
Input and Output			
Analog inputs	Number of analog input	Nr.	2
	Analog input type		0...10V, -5...+5V, 0...20mA, PT100
Mechanical features			
Weight		g	56
Dimensions			



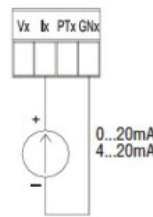
Wiring diagrams



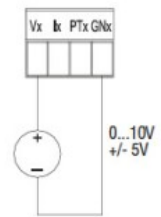
Connessione PT100 2 fili
2 wire PT100 connection
Connexion PT100 à 2 fils
Conexión PT100 de 2 hilos



Connessione per ingresso di corrente
Current input connection
Connexion entrée courant
Conexión salida corriente



Connessione per ingresso di tensione
Voltage input connection
Connexion entrée tension
Conexión salida tensión



Certifications and compliance

Compliance

CSA C22.2 n° 14

IEC/EN 61000-6-2

IEC/EN 61000-6-4

IEC/EN 61010-1

UL508

Certificates

cULus

EAC

ETIM classification

ETIM 8.0

EC002498 -
Accessories/spare
parts for low-
voltage switch
technology