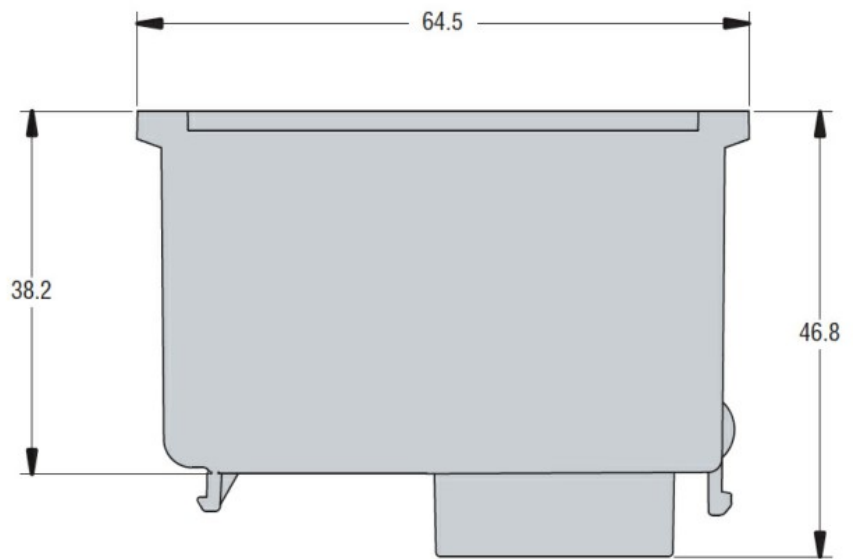
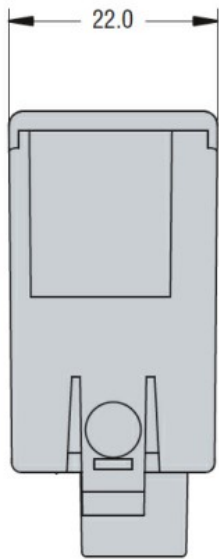
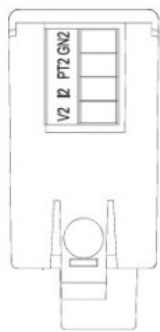
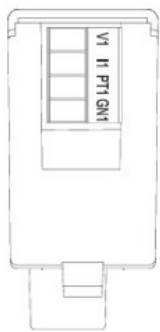




Product designation	Expansion modules for flush-mount products - input/output EXP1004		
Product type designation	EXP1004		
<b>General characteristics</b>			
Description	2 analog inputs, opto-isolated 0/4...20mA or PT100 or 0...10V or 0...±5V		
Functions	Inputs and outputs		
Compatibility with LOVATO Electric product			
Digital power analyzers	DMG7000		Yes
	DMG7500		Yes
	DMG8000		Yes
	DMG9000		Yes
Automatic power factor controllers	DCRG8		Yes
Automatic transfer switch contrllers	ATL800/900		Yes
Engine and generator controllers	RGK750/RGK8/RGK9		Yes
<b>Input and Output</b>			
Analog inputs	Number of analog input	Nr.	2
	Analog input type		0...10V, -5...+5V, 0...20mA, PT100
<b>Mechanical features</b>			
Weight		g	56
<b>Dimensions</b>			



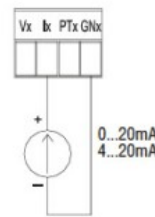
**Wiring diagrams**



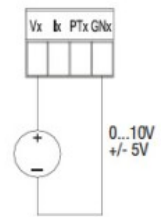
Connessione PT100 2 fili  
2 wire PT100 connection  
Connexion PT100 à 2 fils  
Conexión PT100 de 2 hilos



Connessione per ingresso di corrente  
Current input connection  
Connexion entrée courant  
Conexión salida corriente



Connessione per ingresso di tensione  
Voltage input connection  
Connexion entrée tension  
Conexión salida tensión



**Certifications and compliance**

**Compliance**

CSA C22.2 n° 14

IEC/EN 61000-6-2

IEC/EN 61000-6-4

IEC/EN 61010-1

UL508

**Certificates**

cULus

EAC

**ETIM classification**

ETIM 8.0

EC002498 -  
Accessories/spare  
parts for low-  
voltage switch  
technology