



Expansion modules for flush-mount products - input/output EXP1003

Product designation

Product type designation

General characteristics

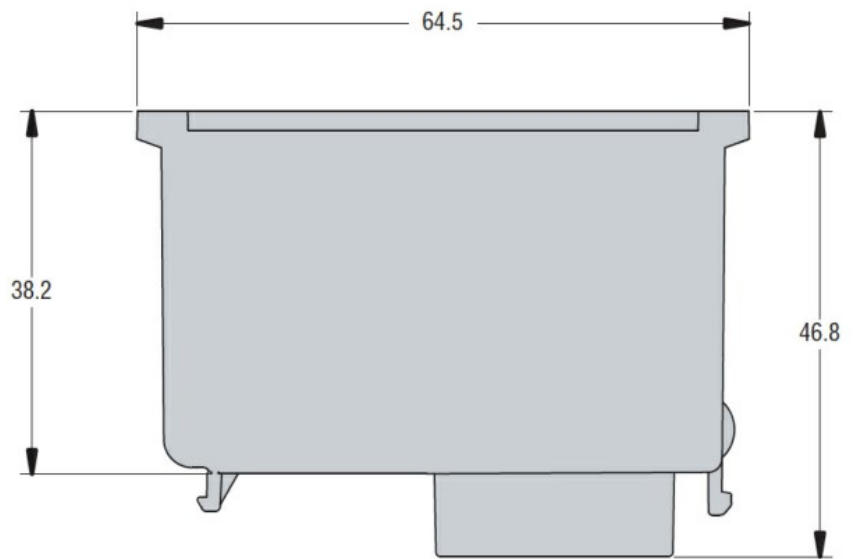
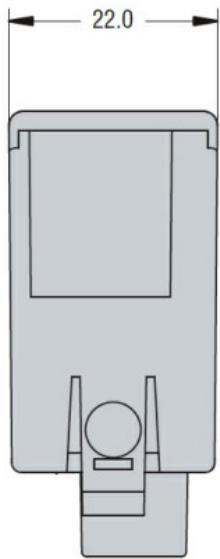
Description	2 relay outputs 5A 250VAC	
Functions	Inputs and outputs	
Rated power supply voltage	5A 250VAC	
Compatibility with LOVATO Electric product		
IP	PMVF3000	Yes
Digital multimeters	DMG600/601/611	Yes
Digital power analyzers	DMG7000	Yes
	DMG7500	Yes
	DMG8000	Yes
	DMG9000	Yes
Automatic power factor controllers	DCRL3/5	Yes
	DCRG8	Yes
Automatic transfer switch controllers	ATL610	Yes
	ATL800/900	Yes
Fire pump controllers	FFLRA400	Yes
Engine and generator controllers	RGK750/RGK8/RGK9	Yes

Input and Output

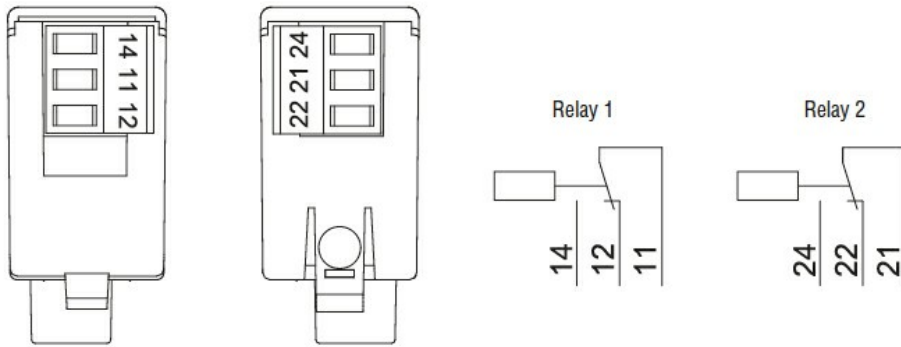
Digital outputs	Number of digital output	Nr.	2
-----------------	--------------------------	-----	---

Mechanical features

Weight	g	50
Dimensions		



Wiring diagrams



Certifications and compliance

Compliance

- CSA C22.2 n° 14
- IEC/EN 61000-6-2
- IEC/EN 61000-6-3
- IEC/EN 61010-1
- UL508

Certificates

- cULus
- EAC

ETIM classification

ETIM 8.0

EC002498 -
Accessories/spare
parts for low-
voltage switch
technology