



Expansion modules for flush-mount products - input/output EXP1001

Product designation

Product type designation

General characteristics

Description

4 static outputs, opto-isolated

Functions

Inputs and outputs

Compatibility with LOVATO Electric product

Digital multimeters

DMG600/601/611

Yes

Digital power analyzers

DMG7000

Yes

DMG7500

Yes

DMG8000

Yes

DMG9000

Yes

Automatic power factor controllers

DCRG8

Yes

Automatic transfer switch controllers

ATL610

Yes

ATL800/900

Yes

Fire pump controllers

FFLRA400

Yes

Engine and generator controllers

RGK750/RGK8/RGK9

Yes

Input and Output

Analog outputs

Number of analog output

Nr.

4

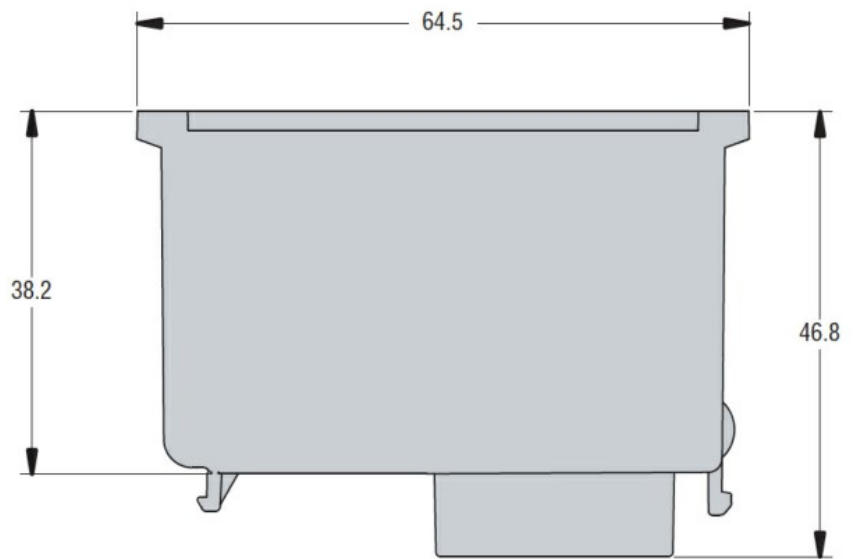
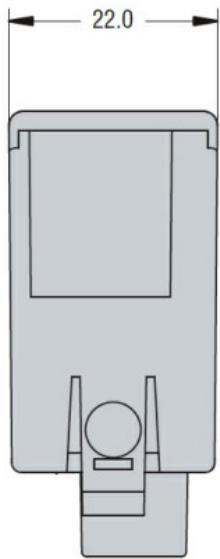
Mechanical features

Weight

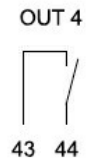
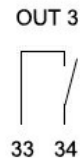
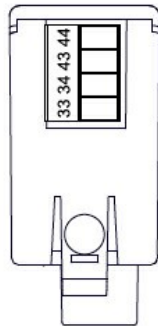
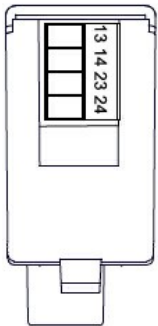
g

54

Dimensions



Wiring diagrams



Certifications and compliance

Compliance

CSA C22.2 n° 14

IEC/EN 61000-6-2

IEC/EN 61000-6-3

IEC/EN 61010-1

UL508

Certificates

cULus

EAC

ETIM classification

ETIM 8.0

EC002498 -
Accessories/spare
parts for low-
voltage switch
technology