



Expansion modules for modular products - communication port  
EXM1030

Product designation

Product type designation

**General characteristics**

Description

Data storage, RTC with backup reserve energy for data logging

Functions

Data storage

Compatibility with LOVATO Electric product

Digital multimeters

DMG300

Yes

Energy meters

DMED310T2

Yes

Data concentrators

DMECD

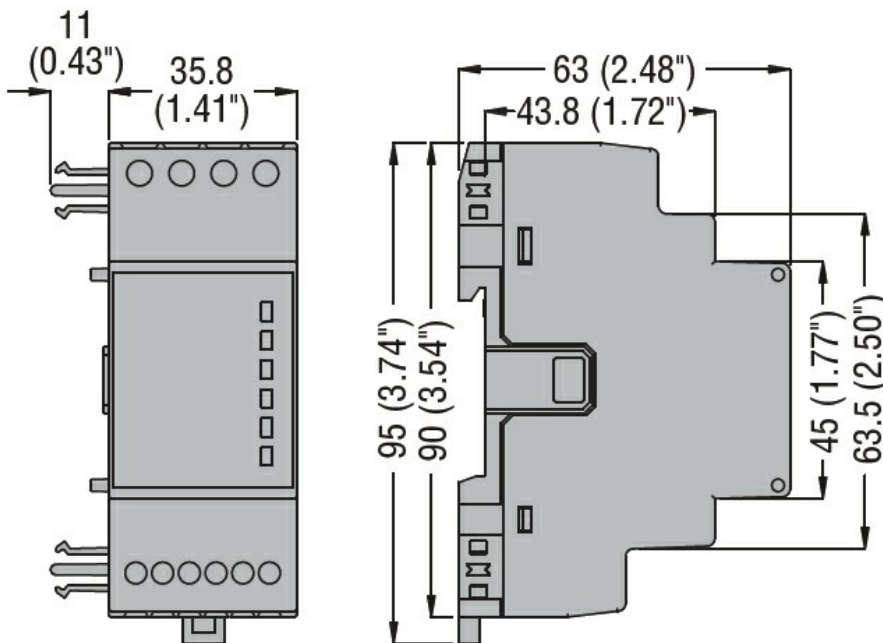
Yes

**Mechanical features**

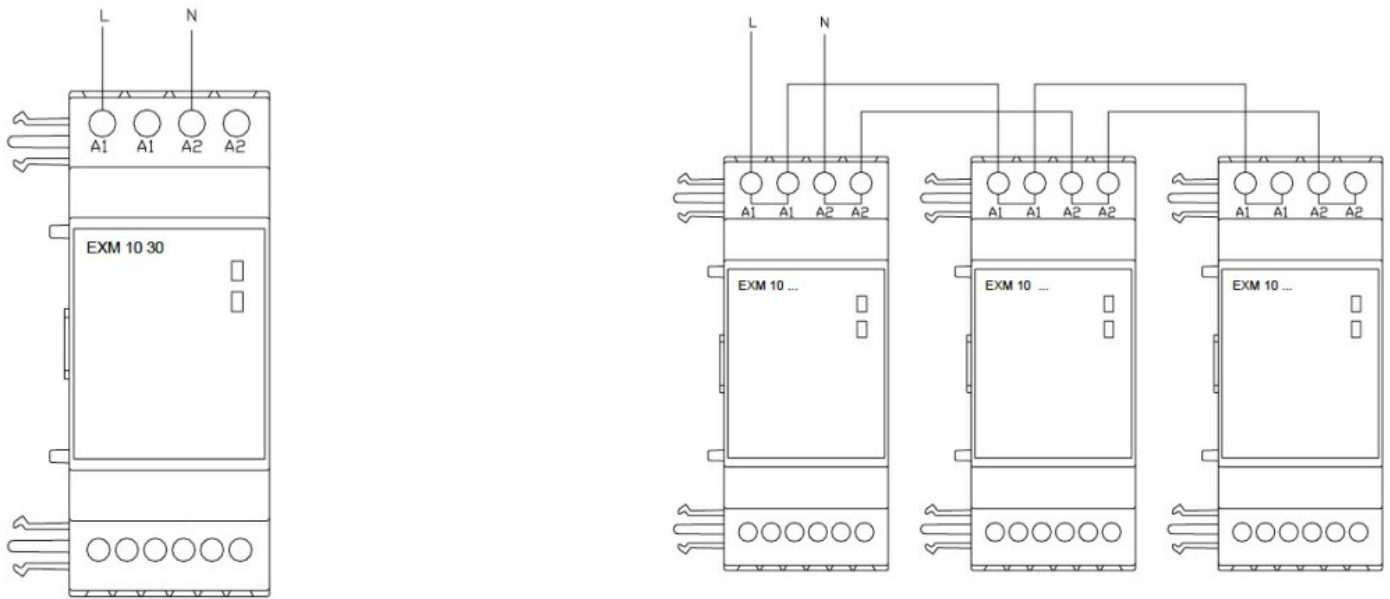
Weight

g 140

**Dimensions**



**Wiring diagrams**



**Certifications and compliance**

Compliance

CSA C22.2 n° 14

IEC/EN 61000-6-2

IEC/EN 61000-6-3

IEC/EN 61010-1

UL508

Certificates

cULus

EAC

**ETIM classification**

ETIM 8.0

EC002498 -  
Accessories/spare  
parts for low-  
voltage switch  
technology