



Expansion modules for modular products - communication port EXM1011

Product designation

Product type designation

**General characteristics**

Description

Opto-isolated RS232 interface

Functions

Communication ports

Compatibility with LOVATO Electric product

IP

PMVF52/61/71

Yes

Digital multimeters

DMG300

Yes

Energy meters

DMED310T2

Yes

Data concentrators

DMECD

Yes

**Communications**

Type of communication port

Serial

**Interface**

RS232 communication

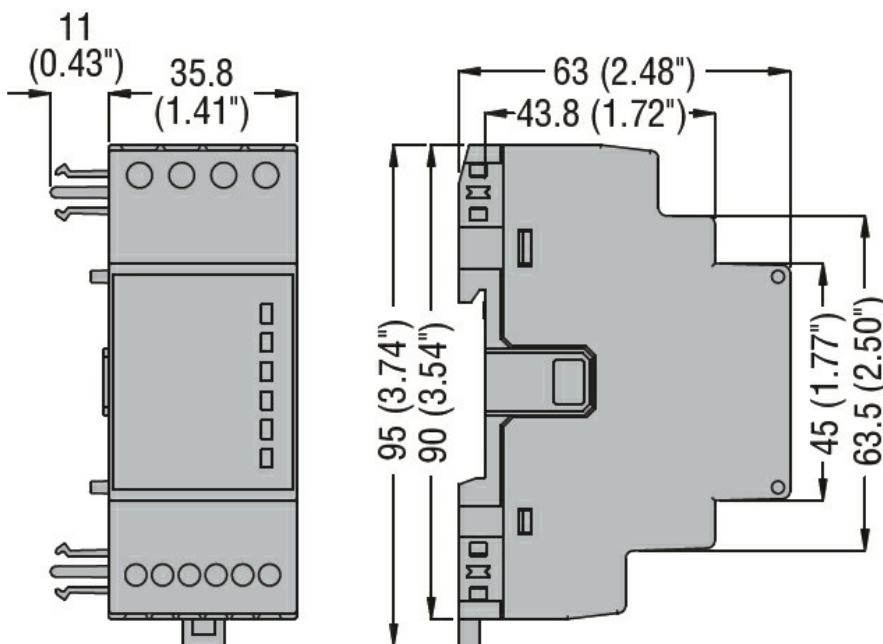
Yes

**Mechanical features**

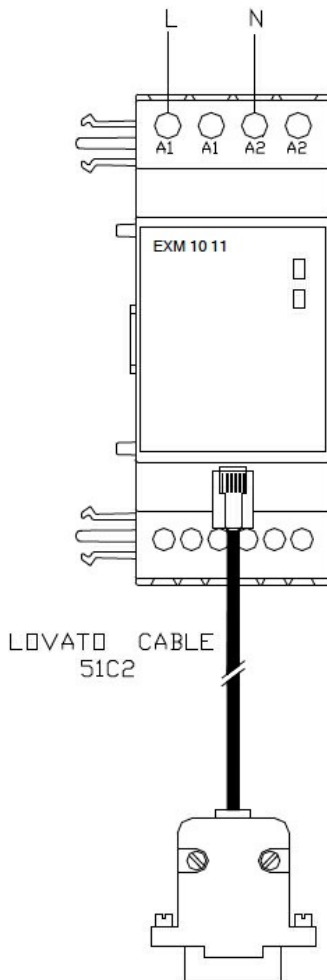
Weight

g 125

**Dimensions**



Wiring diagrams



Certifications and compliance

Compliance

CSA C22.2 n° 14

IEC/EN 61000-6-2

IEC/EN 61000-6-3

IEC/EN 61010-1

UL508

Certificates

cULus

EAC

ETIM classification

ETIM 8.0

EC002498 -  
Accessories/spare  
parts for low-  
voltage switch  
technology