



Expansion modules for modular products - inputs/outputs EXM1000

Product designation

Product type designation

General characteristics

Description

2 digital inputs and 2 static outputs, opto-isolated

Functions

Inputs and outputs

Compatibility with LOVATO Electric product

Digital multimeters

DMG300

Yes

Energy meters

DMED310T2

Yes

Data concentrators

DMECD

Yes

Input and Output

Digital inputs

Number of digital input Nr. 2

Analog outputs

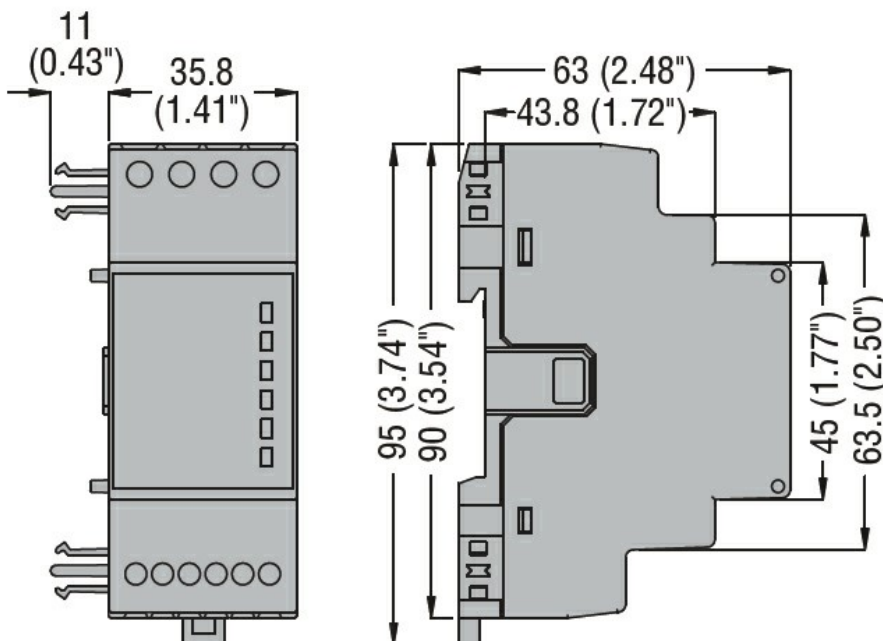
Number of analog output Nr. 2

Mechanical features

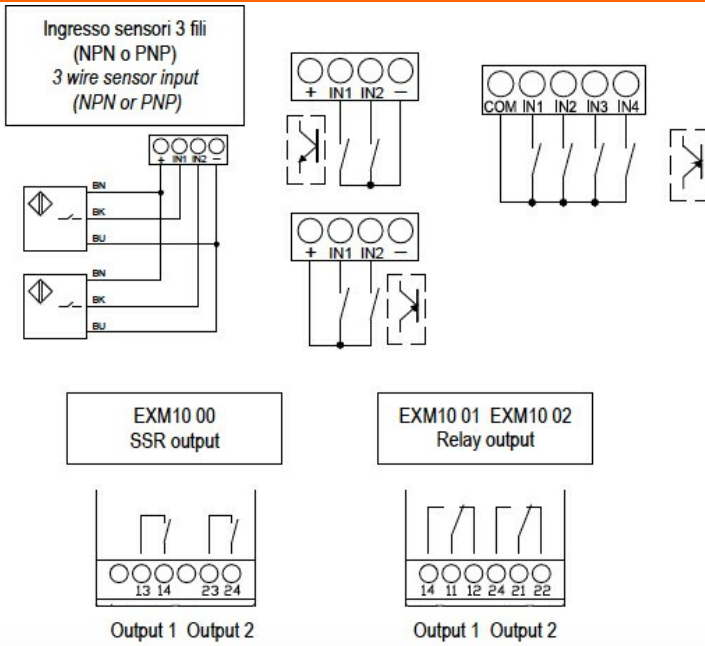
Weight

g 137

Dimensions



Wiring diagrams



Certifications and compliance

Compliance

CSA C22.2 n° 14

IEC/EN 61000-6-2

IEC/EN 61000-6-3

IEC/EN 61010-1

UL508

Certificates

cULus

EAC

ETIM classification

ETIM 8.0

EC002498 -
Accessories/spare
parts for low-
voltage switch
technology