



Product designation

Alarm-status  
relay unit  
RGKRR

Product type designation

**Power supply**

Rated battery voltage

V 12/24VDC

**Interface**

CANbus

Yes

**Mechanical features**

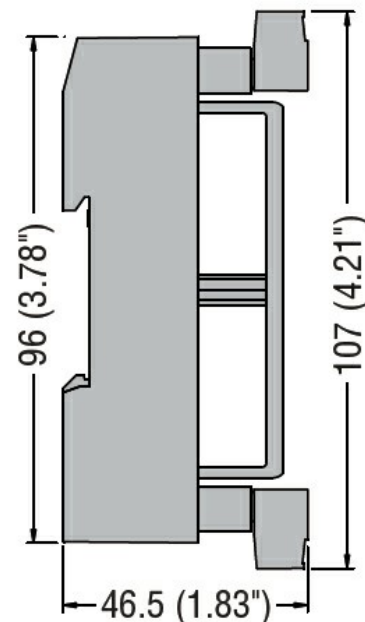
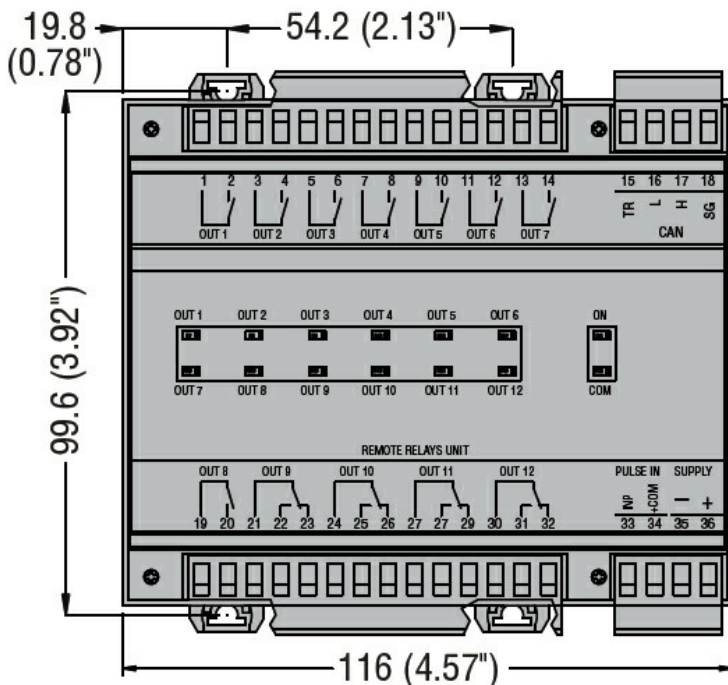
Conductor cross section

|     |                 |     |
|-----|-----------------|-----|
| min | mm <sup>2</sup> | 0.2 |
| Max | mm <sup>2</sup> | 2.5 |
| min | AWG             | 24  |
| Max | AWG             | 12  |

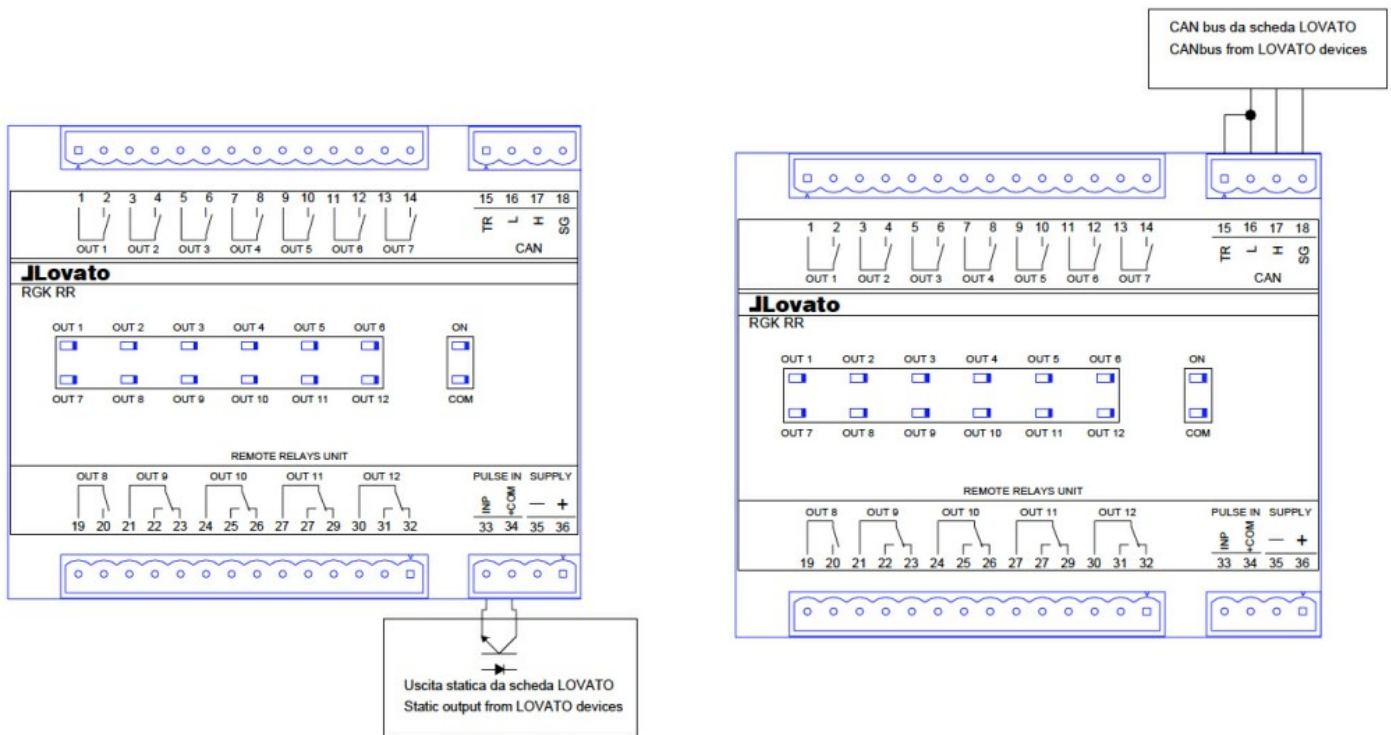
Tightening torque (Max)

|      |      |
|------|------|
| Nm   | 0.56 |
| lbin | 4.5  |

**Dimensions**



**Wiring diagrams**



### Certifications and compliance

#### Compliance

CSA C22.2 n° 14

IEC 61000-6-3

IEC/EN 61000-6-2

IEC/EN 61010-1

UL508

#### Certificates

EAC

UL Listed for USA and Canada (cULus-File E93601)

### ETIM classification

ETIM 8.0

EC002498 -  
Accessories/spare  
parts for low-  
voltage switch  
technology