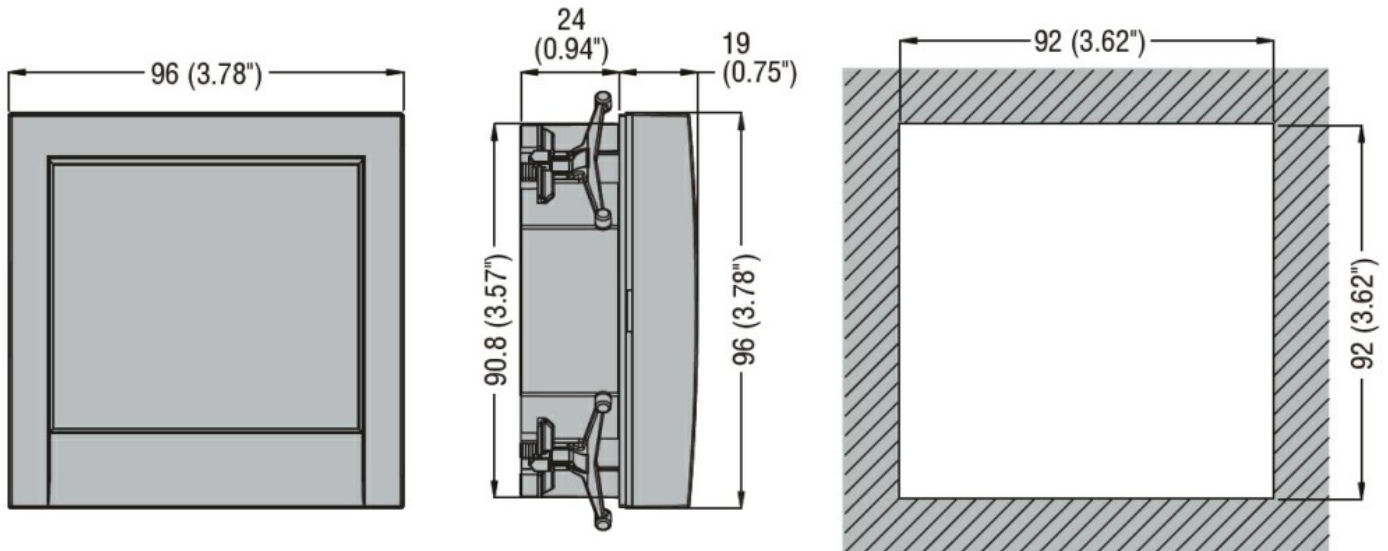
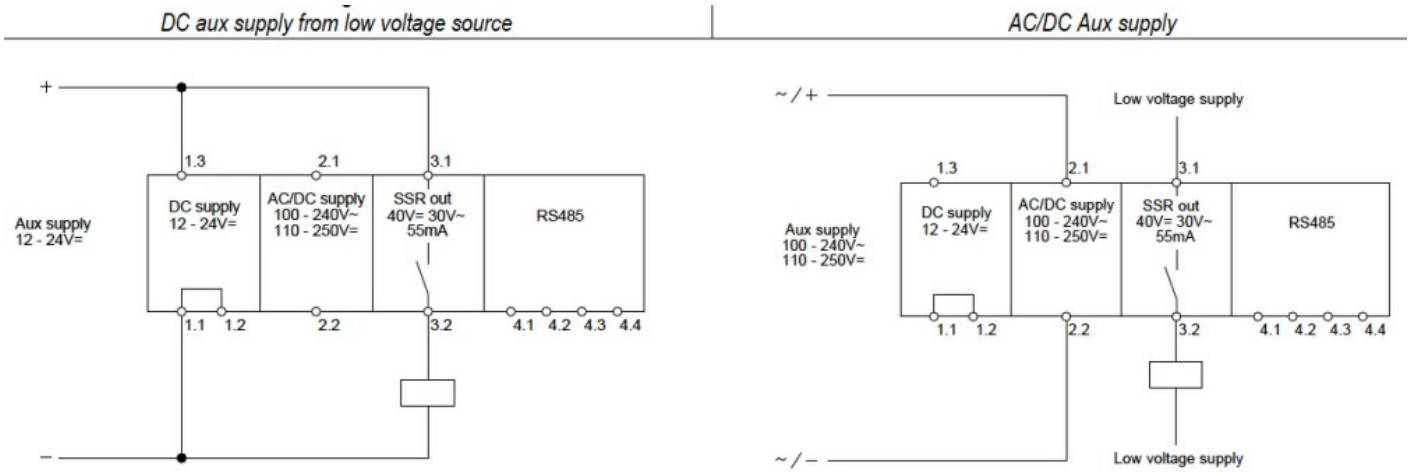




Product designation	Remote units		
Product type designation	RGKRA		
<b>Power supply</b>			
Rated battery voltage	V	100/240VAC - 12/24VDC	
<b>Static Outputs</b>			
Static output type	(SSR)		
<b>Interface</b>			
CANbus	Yes		
<b>Mechanical features</b>			
Conductor cross section			
	min	mm <sup>2</sup>	0.2
	Max	mm <sup>2</sup>	2.5
	min	AWG	24 or 18 UL/CSA
	Max	AWG	12
<hr/>			
Tightening torque (Max)		Nm	0.56
		lbin	4.5
<b>Ambient conditions</b>			
Protection degree	IP54		
<b>Dimensions</b>			



**Wiring diagrams**



**Certifications and compliance**

Compliance

- CSA C22.2 n° 14
- IEC 61000-6-3
- IEC/EN 61000-6-2
- IEC/EN 61010-1
- UL508

Certificates

- EAC
- UL Listed for USA and Canada (cULus-File E93601)

**ETIM classification**

ETIM 8.0

EC001427 -  
Mobile panel