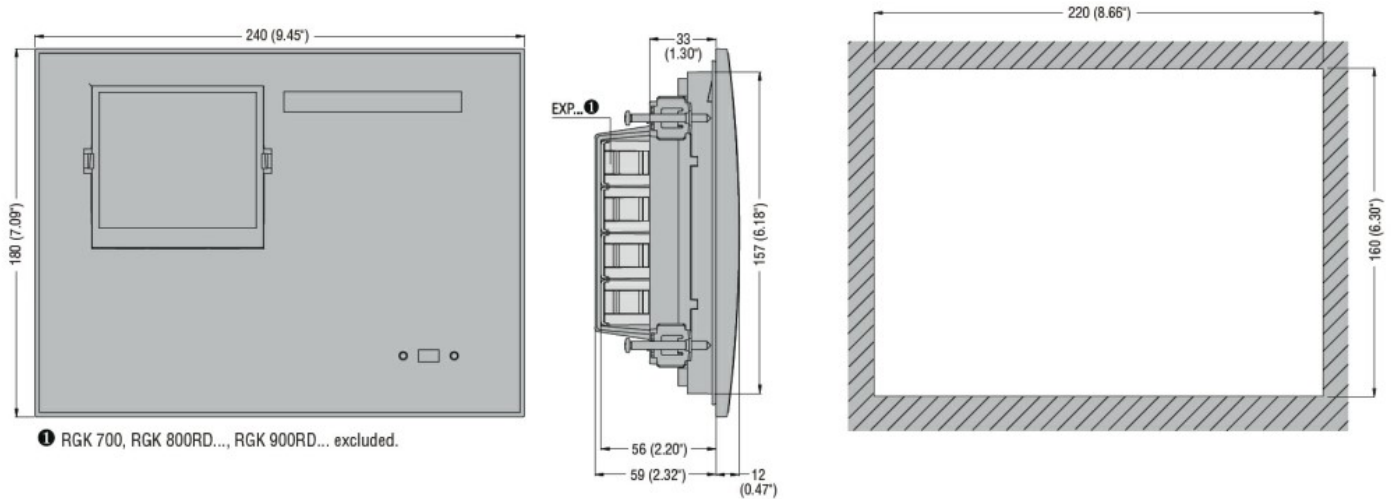
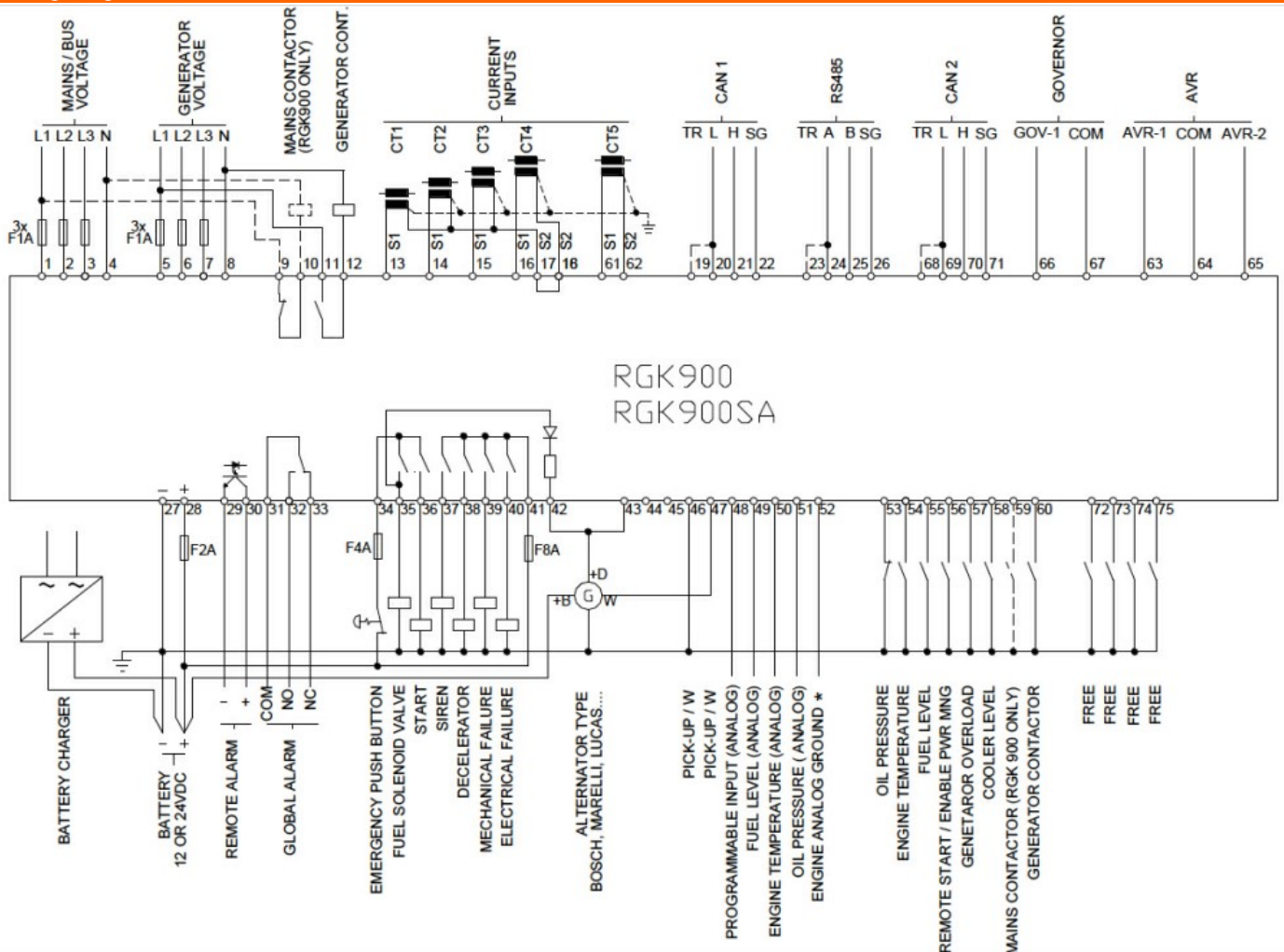




Product designation	Stand-alone controller	
Product type designation	RGK900SA	
Power supply		
Rated battery voltage	V	12/24VDC
Digital inputs		
Digital input type	12 neg.+ 1 pos.	
"W"/AC/PICK-UP speed inputs		
"W"/AC/PICK-UP speed input type	"W" or generator frequency or "Pick-up"	
Voltage inputs		
Rated voltage (Ue)	VAC	100...600
Measurement range	V	30...720
Frequency range	Hz	45...65 or 360...440
Measurement method	TRMS	
Current inputs		
Rated current (Ie)	A	5A/1A
Measurement range	0.05...6A or 0.05...1.2A	
Amperometric inputs type	3PH, /5A or /1A	
Measurement method	TRMS	
Static Outputs		
Static output type	6 (SSR) + 1 (SO)	
Rating	A	2
Protections	Protected	
Relay outputs		
Type of output contact	3 (relay)	
Rated current at 250V in AC-1	A	8
Interface		
CANbus	Yes	
Ambient conditions		
Protection degree	IP65	
Dimensions		



Wiring diagrams



Certifications and compliance

Compliance

CSA C22.2 n° 14
IEC/EN 61000-6-2
IEC/EN 61000-6-3
IEC/EN 61010-1
UL 508

Certificates

EAC

UL Listed for USA and Canada (cULus-File E93601)

ETIM classification

ETIM 8.0

EC002758 -
Energy
management
controller