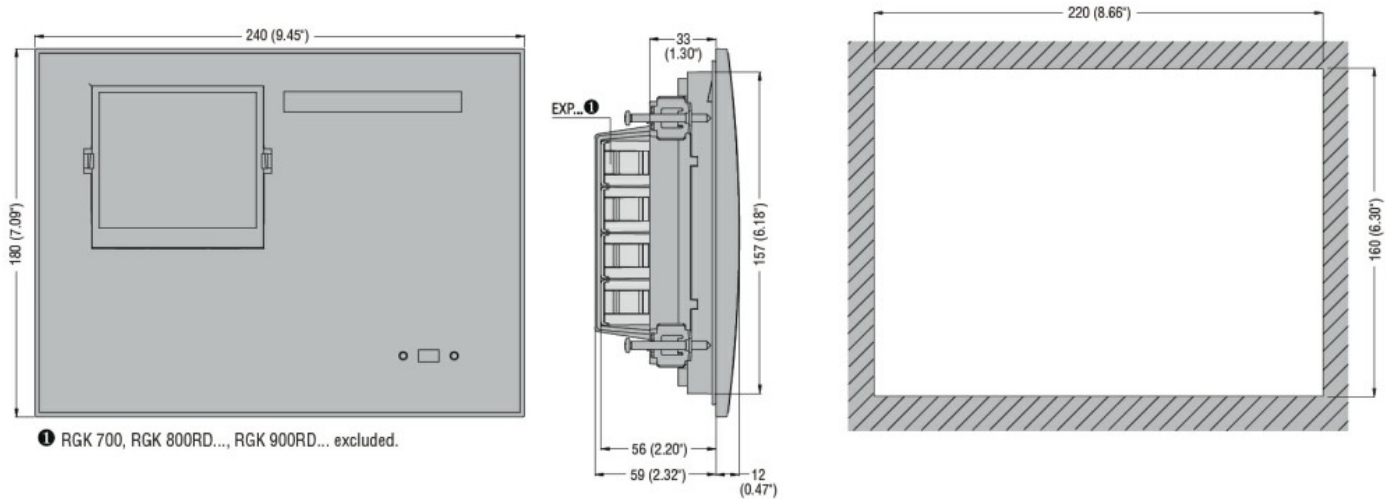
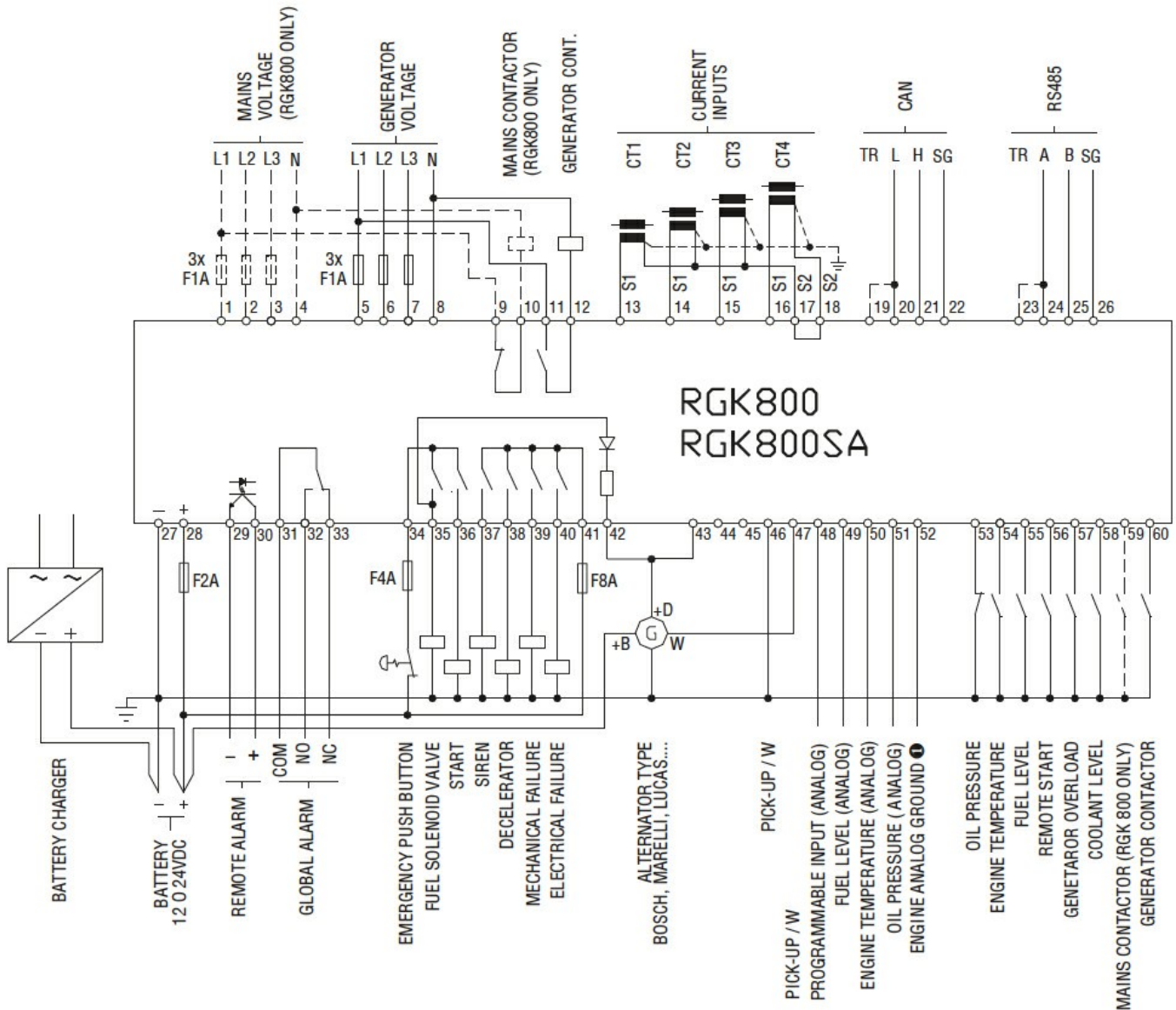




Product designation	Automatic mains failure gen-set controllers	
Product type designation	RGK800	
<b>Power supply</b>		
Rated battery voltage	V	12/24VDC
<b>Digital inputs</b>		
Digital input type	8 neg.+ 1 pos.	
<b>"W"/AC/PICK-UP speed inputs</b>		
"W"/AC/PICK-UP speed input type	"W" or generator frequency or "Pick-up"	
<b>Voltage inputs</b>		
Rated voltage (Ue)	VAC	100...600
Measurement range	V	30...720
Frequency range	Hz	45...65
Measurement method	TRMS	
<b>Current inputs</b>		
Rated current (Ie)	A	5A/1A
Measurement range	0.05...6A or 0.05...1.2A	
Amperometric inputs type	3PH, /5A or /1A	
Measurement method	TRMS	
<b>Static Outputs</b>		
Static output type	6 (SSR) + 1 (SO)	
<b>Relay outputs</b>		
Type of output contact	3 (relay)	
<b>Interface</b>		
CANbus	Yes	
<b>Ambient conditions</b>		
Protection degree	IP65	
<b>Dimensions</b>		



**Wiring diagrams**



**Certifications and compliance**

**Compliance**

CSA C22.2 n° 14

IEC/EN 61000-6-2

IEC/EN 61000-6-3

AUTOMATIC MAINS FAILURE (AMF) GEN-SET CONTROLLER, 12/24VDC, WITH RS485 PORT AND USB/OPTICAL AND WI-FI POINT PROGRAMMING PORT ON FRONT, CANBUS PORT, IP65, EXPANDABLE WITH EXP... MODULES

---

IEC/EN 61010-1

---

UL 508

Certificates

---

EAC

---

UL Listed for USA and Canada (cULus-File E93601)

ETIM classification

ETIM 8.0

EC002758 -  
Energy  
management  
controller