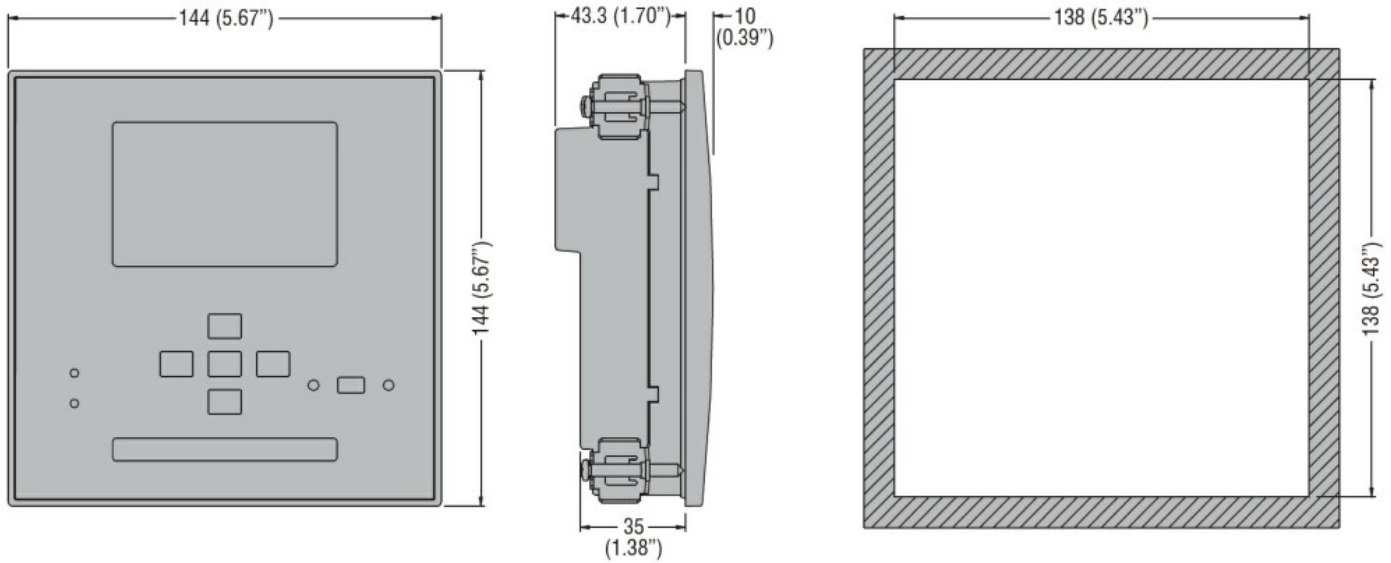
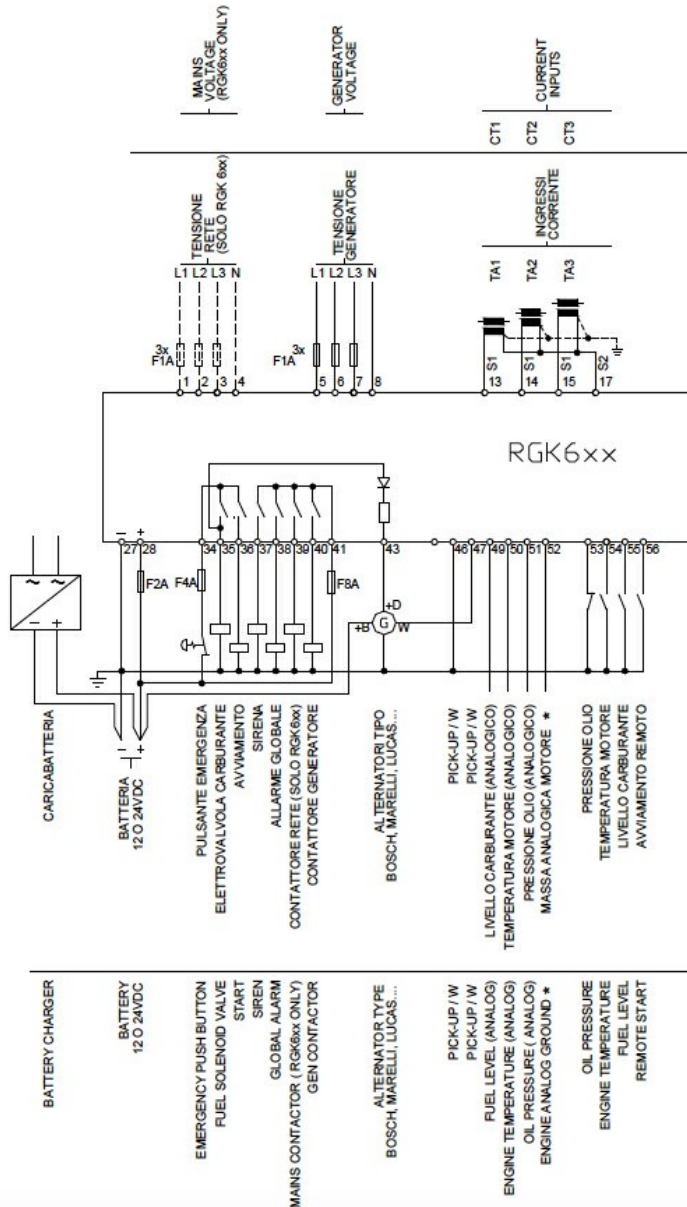




Product designation	Stand alone gen-set controllers		
Product type designation	RGK601SA		
Power supply			
Rated battery voltage	V	12/24VDC	
Digital inputs			
Digital input type	4 neg.+ 1 pos.		
"W"/AC/PICK-UP speed inputs			
"W"/AC/PICK-UP speed input type	"W" or generator frequency		
Voltage inputs			
Rated voltage (Ue)	VAC	100...480	
Measurement range	V	100...480	
Frequency range	Hz	45...65	
Measurement method	TRMS		
Current inputs			
Rated current (Ie)	A	5A/1A	
Measurement range	0.05...6A or 0.05...1.2A		
Amperometric inputs type	3PH, /5A or /1A		
Measurement method	TRMS		
Static Outputs			
Static output type	6 (SSR)		
Interface			
CANbus	Yes		
Ambient conditions			
Temperature	Operating temperature		
	min	°C	-30
	max	°C	+70
Protection degree	IP40, IP65 with optimal gasket seal		
Dimensions			



Wiring diagrams



Certifications and compliance

Compliance

CSA C22.2 n° 14

IEC/EN 61000-6-2

IEC/EN 61000-6-3

IEC/EN 61010-1

UL 508

Certificates

EAC

UL Listed for USA and Canada (cULus-File E93601)

ETIM classification

ETIM 8.0

EC002758 -
Energy
management
controller