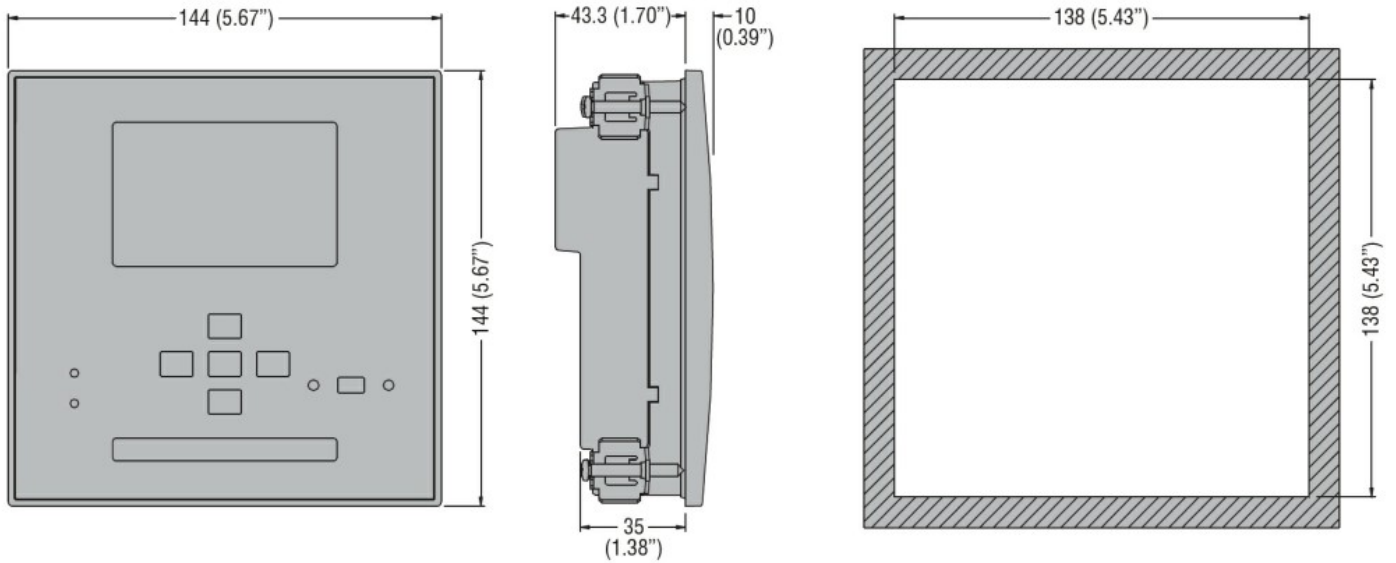
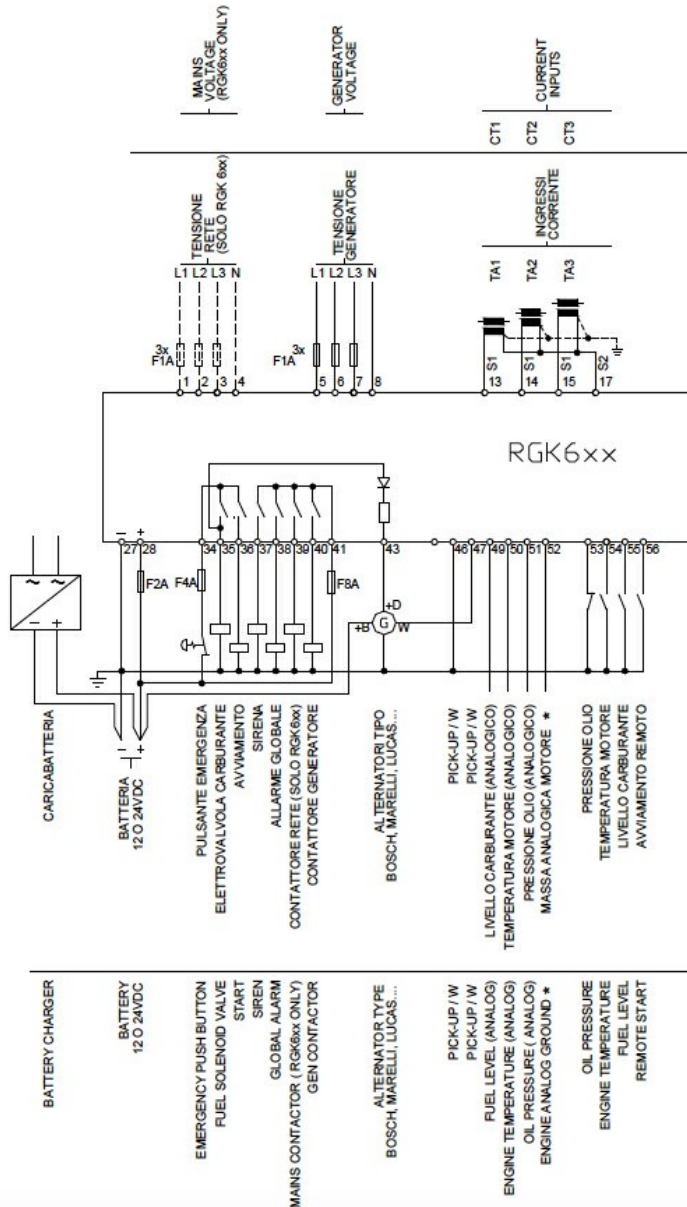




Product designation	Stand alone gen-set controllers		
Product type designation	RGK600SA		
<b>Power supply</b>			
Rated battery voltage	V	12/24VDC	
<b>Digital inputs</b>			
Digital input type	4 neg.+ 1 pos.		
<b>"W"/AC/PICK-UP speed inputs</b>			
"W"/AC/PICK-UP speed input type	"W" or generator frequency or "Pick-up"		
<b>Voltage inputs</b>			
Rated voltage (Ue)	VAC	100...480	
Measurement range	V	100...480	
Frequency range	Hz	45...65	
Measurement method	TRMS		
<b>Current inputs</b>			
Rated current (Ie)	A	5A/1A	
Measurement range	0.05...6A or 0.05...1.2A		
Amperometric inputs type	3PH, /5A or /1A		
Measurement method	TRMS		
<b>Static Outputs</b>			
Static output type	6 (SSR)		
<b>Ambient conditions</b>			
Temperature	Operating temperature		
	min	°C	-30
	max	°C	+70
Protection degree	IP40, IP65 with optimal gasket seal		
<b>Dimensions</b>			



**Wiring diagrams**



**Certifications and compliance**

Compliance

CSA C22.2 n° 14

IEC/EN 61000-6-2

IEC/EN 61000-6-3

IEC/EN 61010-1

UL 508

Certificates

EAC

UL Listed for USA and Canada (cULus-File E93601)

ETIM classification

ETIM 8.0

EC002758 -  
Energy  
management  
controller