



Panel m. color
glcd mult.,
RS485 + ETH
DMG9000D048
Three-phase +
neutral + earth

Product designation

Product type designation

Type

Auxiliary supply Us

Auxiliary rated supply voltage DC	VDC	12...48
Auxiliary operating voltage range DC	min VDC	12
	Max VDC	48

Power consumption	Max VA	15
-------------------	--------	----

Power dissipation Max	W	6
-----------------------	---	---

Measuring voltage inputs

Rated voltage (Ue)	phase-phase VAC	600
	phase-neutral VAC	347

Operating voltage range	phase-phase VAC	40...830
	phase-neutral VAC	5...480

Voltage inputs operational frequency	min Hz	45 and 360
	max Hz	66 and 440

Voltage inputs measurement method		True RMS
-----------------------------------	--	----------

Connection method		Single. Two. Three-phase with or without neutral. Balanced three-phase system. Three-phase ARON.
-------------------	--	--

Current inputs

Rated current (Ie)	A	1A/5A
--------------------	---	-------

Measurement range		0.004...6
-------------------	--	-----------

Measurement method		TRMS
--------------------	--	------

Overload capacity		+20% Ie by external CT with 5A secondary
-------------------	--	--

Overload peak	A	120A for 0.5s
---------------	---	---------------

Accuracy

VLN voltage		Class 0.2 (IEC/EN 61557-12), V:50-480V~
-------------	--	---

POWER ANALYZER WITH WIDESCREEN COLOUR LCD. AUXILIARY SUPPLY 12...48VDC. EXPANDABLE WITH 3 EXP... MODULES, BUILT-IN RS485 AND ETHERNET PORTS, DATA MEMORY FOR LOGGING, COMPATIBLE WITH EASY BRANCH POWER MONITORING SYSTEM

VLL voltage	Class 0.2 (IEC/EN 61557-12), V:87-830V~
Current	Class 0.2 (IEC/EN 61557-12), In:5A~
Frequency	Class 0.02 (IEC/EN 61557-12)
Active power	Class 0.5 (IEC/EN 61557-12)
Reactive power	Class 1 (IEC/EN 61557-12)
Active energy	Class 0.5s (IEC/EN 62053-22)
Reactive energy	Class 1 (IEC/EN 62053-24)
THD	Class 5 (IEC/EN 61557-12)
2nd 15th order harmonics	Class 5 (IEC/EN 61557-12)

Insulations

Rated insulation voltage Ui IEC/EN	V	600
Rated impulse withstand voltage Uimp	kV	9.6
Operating frequency withstand voltage	kV	5.4

Functions

Harmonic analysis	63rd order
PLC logic	Yes
Type of communication port	RS485/Ethernet
Ethernet-RS485 gateway function	Yes
Data logging memory	Yes
Neutral/earth current and voltage monitoring	Yes
Statistics of network quality according to EN50160	Yes
EASY BRANCH support	Yes

Mechanical features

Housing type	Xantar RAL 7035
Terminals type	Removable
Conductor cross section	min mm ² 0.2 Max mm ² 2.5 min AWG 24 Max AWG 12
Tightening torque (Max)	Nm 0.5 lbin 4.5
Fixing	Flush-mounting
Weight	g 439

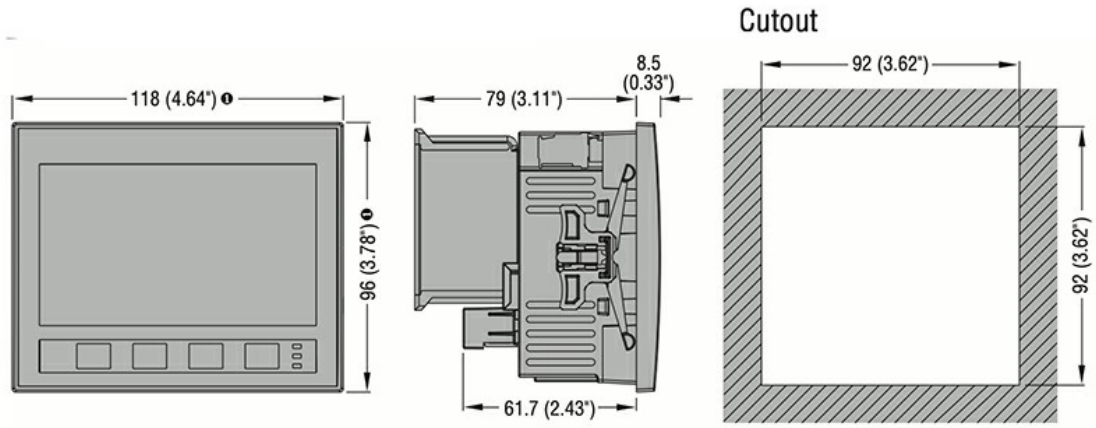
Ambient conditions

Temperature	Operating temperature	min °C -20 max °C +60
	Storage temperature	

POWER ANALYZER WITH WIDESCREEN COLOUR LCD. AUXILIARY SUPPLY 12...48VDC. EXPANDABLE WITH 3 EXP... MODULES, BUILT-IN RS485 AND ETHERNET PORTS, DATA MEMORY FOR LOGGING, COMPATIBLE WITH EASY BRANCH POWER MONITORING SYSTEM

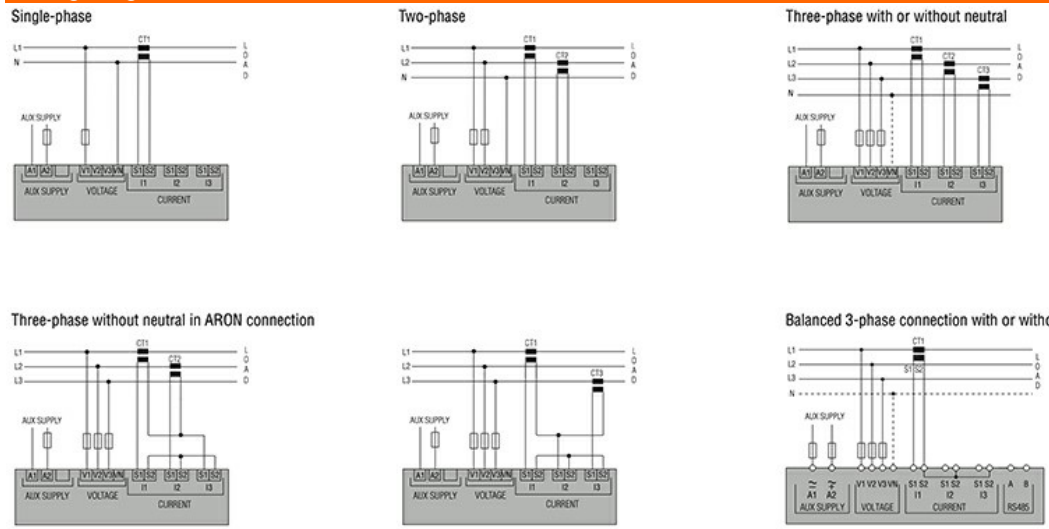
	min	°C	-30
	max	°C	+80
Relative humidity		%	<80
Maximum Pollution degree			2
Protection degree			IP65

Dimensions



① Dimensions with gasket: 122x100mm/4.80x3.94"

Wiring diagrams



CODE	AUX SUPPLY
DMG100-110-200-210-300	100...240VAC 110...250VDC
DMG6...	100...440VAC 110...250VDC
DMG7000-7500-8000-9000	100...240VAC 110...250VDC



Certifications and compliance

- Compliance
- CSA 22.2 No 61010-2-030
 - CSA C22.2 No 61010-1
 - IEC/EN/BS 61010-1
 - UL61010-1
 - UL61010-2-030

- Certificates
- CE
 - UKCA

ETIM classification

ETIM 8.0

EC002301 -
Multifunction
measuring
instrument