



Panel m. color
glcd mult.,
RS485
DMG7500
Three-phase +
neutral

Product designation

Product type designation

Type

Auxiliary supply Us

Auxiliary rated supply voltage AC	VAC	100...240
Auxiliary rated supply voltage DC	VDC	110...250
Auxiliary operating voltage range		
AC		
	min	VAC 90
	Max	VAC 264
DC		
	min	VDC 100
	Max	VDC 300

Operational frequency		
	min	Hz 45
	max	Hz 66

Power consumption	Max	VA 15
-------------------	-----	-------

Power dissipation Max	W	6
-----------------------	---	---

Measuring voltage inputs

Rated voltage (Ue)		
	phase-phase	VAC 600
	phase-neutral	VAC 347

Operating voltage range		
	phase-phase	VAC 40...830
	phase-neutral	VAC 5...480

Voltage inputs operational frequency		
	min	Hz 45 and 360
	max	Hz 66 and 440

Voltage inputs measurement method		True RMS
-----------------------------------	--	----------

Connection method		Single. Two. Three-phase with or without neutral. Balanced three- phase system. Three-phase ARON.
-------------------	--	---

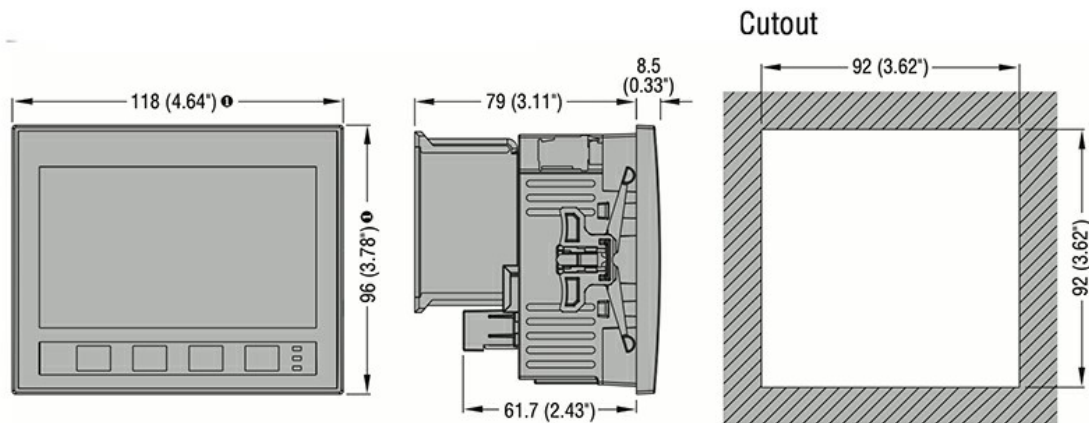
Current inputs

Rated current (Ie)	A	1A/5A
Measurement range		0.004...6
Measurement method		TRMS

Overload capacity			+20% Ie by external CT with 5A secondary
Overload peak	A		120A for 0.5s
Accuracy			
	VLN voltage		Class 0.2 (IEC/EN 61557-12), V:50-480V~
	VLL voltage		Class 0.2 (IEC/EN 61557-12), V:87-830V~
	Current		Class 0.2 (IEC/EN 61557-12), In:5A~
	Frequency		Class 0.02 (IEC/EN 61557-12)
	Active power		Class 0.5 (IEC/EN 61557-12)
	Reactive power		Class 1 (IEC/EN 61557-12)
	Active energy		Class 0.5s (IEC/EN 62053-22)
	Reactive energy		Class 1 (IEC/EN 62053-24)
	THD		Class 5 (IEC/EN 61557-12)
	2nd 15th order harmonics		Class 5 (IEC/EN 61557-12)
Insulations			
Rated insulation voltage Ui IEC/EN	V		600
Rated impulse withstand voltage Uimp	kV		9.6
Operating frequency withstand voltage	kV		5.4
Functions			
Harmonic analysis			63rd order
PLC logic			Yes
Type of communication port			RS485
Ethernet-RS485 gateway function			+EXP1013
Data logging memory			No
Neutral/earth current and voltage monitoring			No
Statistics of network quality according to EN50160			No
EASY BRANCH support			Yes
Mechanical features			
Housing type			Xantar RAL 7035
Terminals type			Removable
Conductor cross section			
	min	mm ²	0.2
	Max	mm ²	2.5
	min	AWG	24
	Max	AWG	12
Tightening torque (Max)			
		Nm	0.5
		lbin	4.5

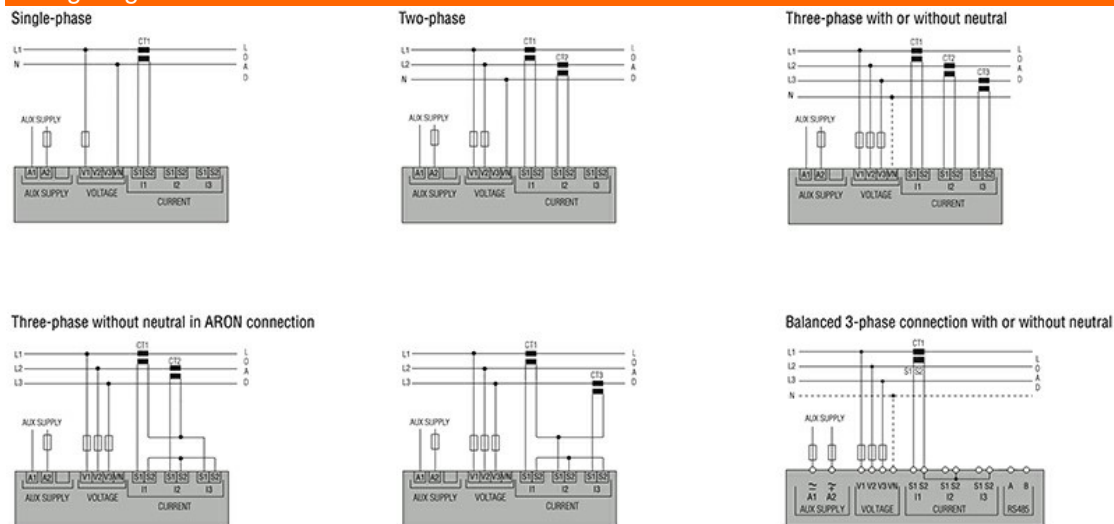
Fixing	Flush-mounting	
Weight	g	420
Ambient conditions		
Temperature		
Operating temperature		
	min	°C -20
	max	°C +60
Storage temperature		
	min	°C -30
	max	°C +80
Relative humidity	%	<80
Maximum Pollution degree	2	
Protection degree	IP65	

Dimensions



① Dimensions with gasket: 122x100mm/4.80x3.94".

Wiring diagrams



CODE	AUX SUPPLY
DMG100-110-200-210-300	100...240VAC 110...250VDC
DMG6...	100...440VAC 110...250VDC
DMG7000-7500-8000-9000	100...240VAC 110...250VDC

RS485 for DMG110 and DMG210



RS485 for DMG610



RS485 for DMG7500 and DMG9000



Certifications and compliance

Compliance

IEC/EN/BS 61000-6-2

IEC/EN/BS 61000-6-4

IEC/EN/BS 61010-1

Certificates

CE

cETLus

EAC

UKCA

ETIM classification

ETIM 8.0

EC002301 -
Multifunction
measuring
instrument