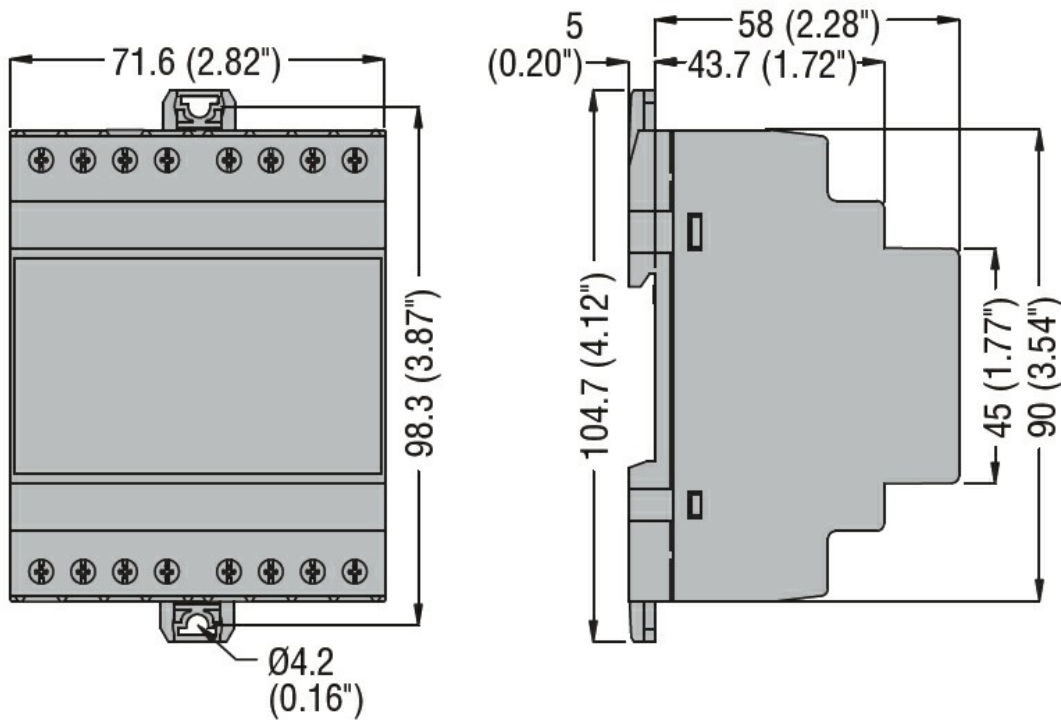




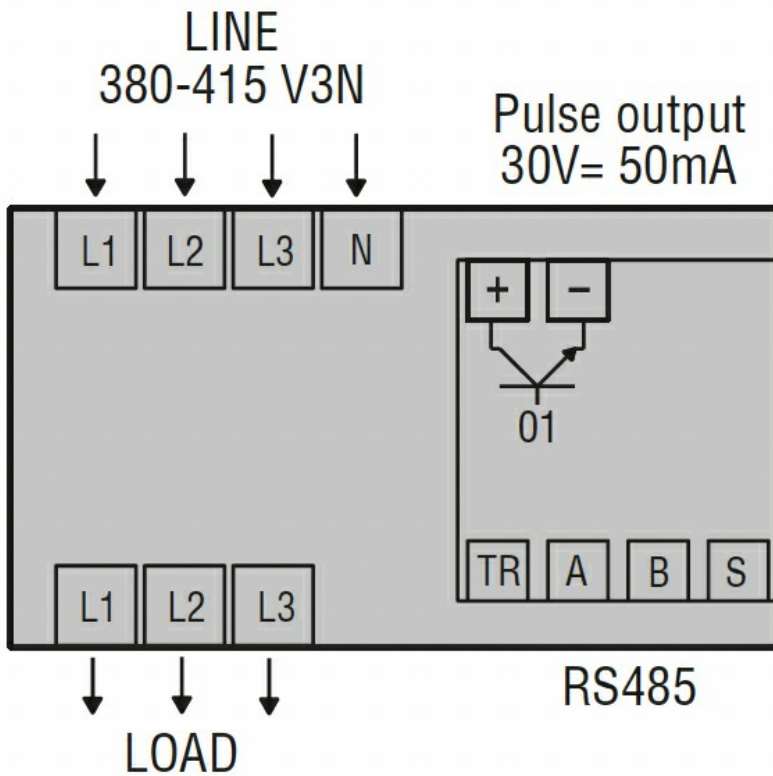
Product designation	Three-phase energy meters		
Product type designation	DMED341MID7ER		
Type	Three-phase + neutral		
DIN rail module number	4		
<b>Auxiliary supply <math>U_s</math></b>			
Operational frequency	min	Hz	50
Power consumption	Max	VA	20
Power dissipation Max		W	1.35
<b>Measuring voltage inputs</b>			
Rated voltage ( $U_e$ )	phase-phase	VAC	400
	phase-neutral	VAC	230
Operating voltage range	phase-phase	VAC	323...456
	phase-neutral	VAC	187...264
Connection method	Direct		
<b>Current</b>			
IEC maximum ( $I_{max}$ )		A	80
IEC minimum ( $I_{min}$ )		A	0.5
IEC rated ( $I_{ref-Ib}$ )		A	10
IEC start ( $I_{st}$ )		mA	40
Transition ( $I_{tr}$ )		A	1
<b>Accuracy</b>			
	Active energy	Class B (EN 50470-3) - Import / export	
	Reactive energy	Class 2 (IEC/EN 62053-23)	
<b>RS485 serial interface</b>			
Baud rate		bps	Programmable 1200...38400
<b>Insulations</b>			
Rated insulation voltage $U_i$ IEC/EN		V	300
Rated impulse withstand voltage $U_{imp}$		kV	6
Operating frequency withstand voltage		kV	4
<b>Mechanical features</b>			
Housing type	Polyamide		
Terminals type	Fixed		
Conductor cross section	min	mm <sup>2</sup>	2.5
	Max	mm <sup>2</sup>	25
	min	AWG	14

		Max	AWG	4
Tightening torque (Max)			Nm	2
			lbin	17.7
Fixing				Din rail
Weight			g	360
<b>Ambient conditions</b>				
Temperature				
	Operating temperature	min	°C	-25
		max	°C	+70
	Storage temperature	min	°C	-25
		max	°C	+70
Relative humidity			%	<80
Maximum Pollution degree				2
Mechanical environment				Class M1
Magnetic environment				Class E2

**Dimensions**



**Wiring diagrams**



### Certifications and compliance

#### Compliance

BS EN 50470-3  
IEC/EN/BS 62052-11  
IEC/EN/BS 62052-31  
VDE-AR-E 2418-3-100

#### Certificates

EAC  
MID (moduli B + D)  
MIR

### ETIM classification

ETIM 8.0

EC001506 -  
Kilowatt-hour  
meter