



Product designation	Three-phase energy meters		
Product type designation	DMED302		
Type	Three-phase + neutral		
DIN rail module number	4		
<b>Auxiliary supply <math>U_s</math></b>			
Operational frequency	min	Hz	50
	max	Hz	60
Power consumption	Max	VA	20
Power dissipation Max		W	1.35
<b>Measuring voltage inputs</b>			
Rated voltage ( $U_e$ )	phase-phase	VAC	380...415
	phase-neutral	VAC	220...240
Operating voltage range	phase-phase	VAC	323...456
	phase-neutral	VAC	187...264
Connection method	Direct		
<b>Current</b>			
IEC maximum ( $I_{max}$ )		A	80
IEC minimum ( $I_{min}$ )		A	0.5
IEC rated ( $I_{ref-Ib}$ )		A	10
IEC start ( $I_{st}$ )		mA	40
Transition ( $I_{tr}$ )		A	1
<b>Accuracy</b>			
	Active energy		Class 1 (IEC/EN 62053-21)
	Reactive energy		Class 2 (IEC/EN 62053-23)
<b>Output characteristics</b>			
LED Pulse rate		pulse/kWh	1000
LED Pulse duration		ms	30
Static output external voltage		VDC	10...30
Static outputs Maximum current		mA	50
<b>Insulations</b>			
Rated insulation voltage $U_i$ IEC/EN		V	250
Rated impulse withstand voltage $U_{imp}$		kV	6
Operating frequency withstand voltage		kV	4
<b>Mechanical features</b>			
Housing type	Polyamide		
Terminals type	Fixed		
Conductor cross section			

min	mm <sup>2</sup>	2.5
Max	mm <sup>2</sup>	25
min	AWG	14
Max	AWG	4

Tightening torque (Max)

Nm	2
lbin	17.7

Fixing

Din rail

Weight

g 360

**Ambient conditions**

Temperature

Operating temperature

min	°C	-25
max	°C	+55

Storage temperature

min	°C	-25
max	°C	+70

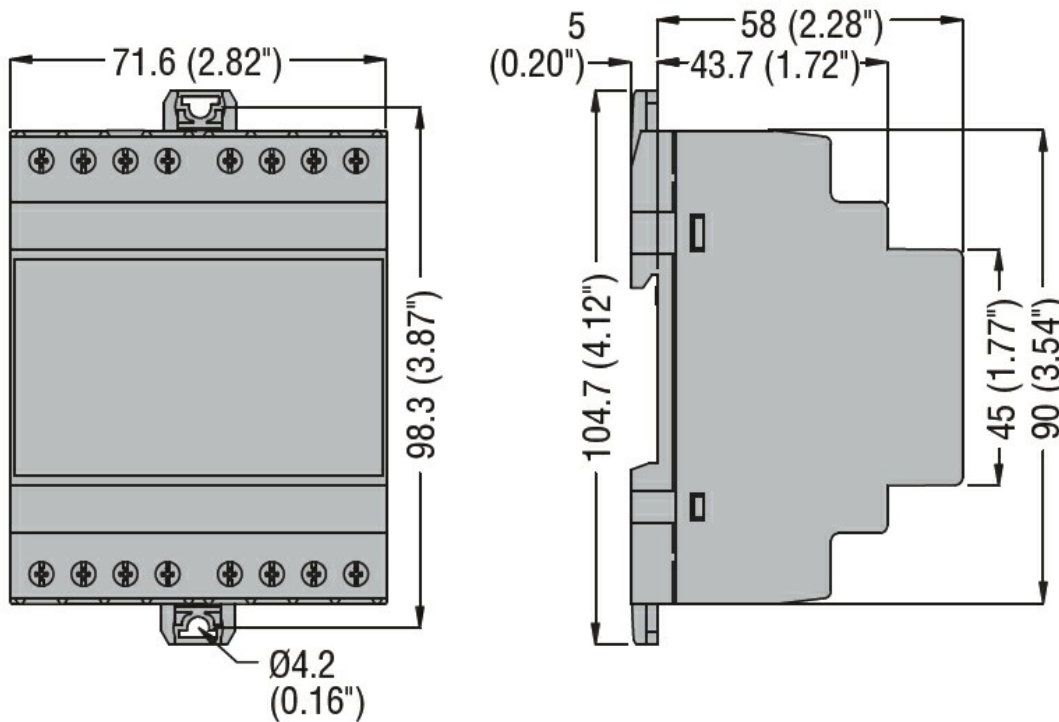
Relative humidity

% <80

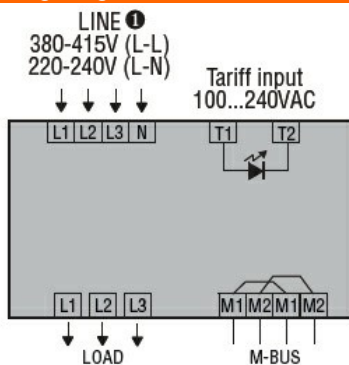
Maximum Pollution degree

2

**Dimensions**



**Wiring diagrams**



**Certifications and compliance**

Compliance

IEC/EN 50470-1  
IEC/EN 61010-1  
IEC/EN 61010-2-030

Certificates

EAC  
RCM

**ETIM classification**

ETIM 8.0

EC001506 -  
Kilowatt-hour  
meter