



Product designation	Three-phase energy meters		
Product type designation	DMED301MID7		
Type	Three-phase + neutral		
DIN rail module number	4		
Auxiliary supply Us			
Operational frequency	min	Hz	50
Power consumption	Max	VA	20
Power dissipation Max		W	1.35
Measuring voltage inputs			
Rated voltage (Ue)	phase-phase	VAC	400
	phase-neutral	VAC	230
Operating voltage range	phase-phase	VAC	323...456
	phase-neutral	VAC	187...264
Connection method	Direct		
Current			
IEC maximum (Imax)		A	80
IEC minimum (Imin)		A	0.5
IEC rated (Iref-Ib)		A	10
IEC start (Ist)		mA	40
Transition (Itr)		A	1
Accuracy			
	Active energy	Class B (EN 50470-3)	
	Reactive energy	Class 2 (IEC/EN 62053-23)	
RS485 serial interface			
Baud rate		bps	Programmable 1200...38400
Insulations			
Rated insulation voltage Ui IEC/EN		V	250
Rated impulse withstand voltage Uimp		kV	6
Operating frequency withstand voltage		kV	4
Mechanical features			
Housing type	Polyamide		
Terminals type	Fixed		
Conductor cross section	min	mm ²	2.5
	Max	mm ²	25
	min	AWG	14
	Max	AWG	4

Tightening torque (Max)

Nm	2
lbin	17.7

Fixing

Din rail

Weight

g	360
---	-----

Ambient conditions

Temperature

Operating temperature

min	°C	-25
max	°C	+70

Storage temperature

min	°C	-25
max	°C	+70

Relative humidity

%	<80
---	-----

Maximum Pollution degree

2

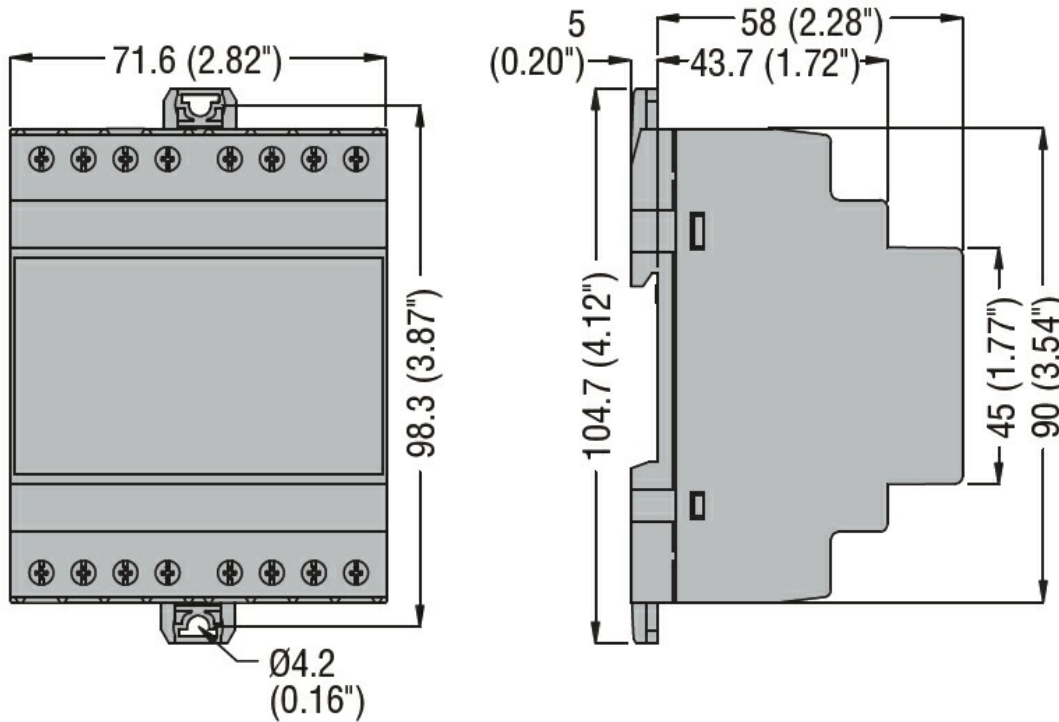
Mechanical environment

Class M1

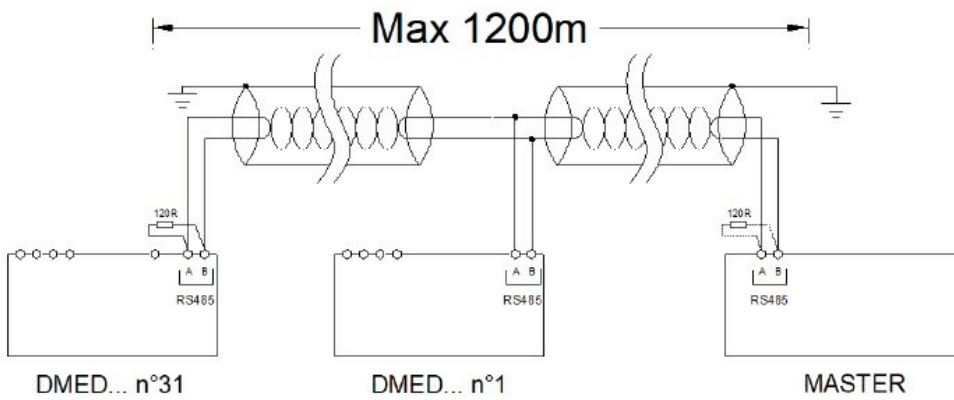
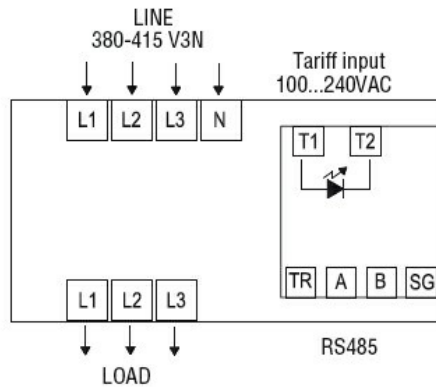
Magnetic environment

Class E2

Dimensions



Wiring diagrams



Certifications and compliance

Compliance

EN50470-1

EN50470-3

TR 50579

Certificates

EAC

MID (moduli B + D)

RCM

ETIM classification

ETIM 8.0

EC001506 -
Kilowatt-hour
meter