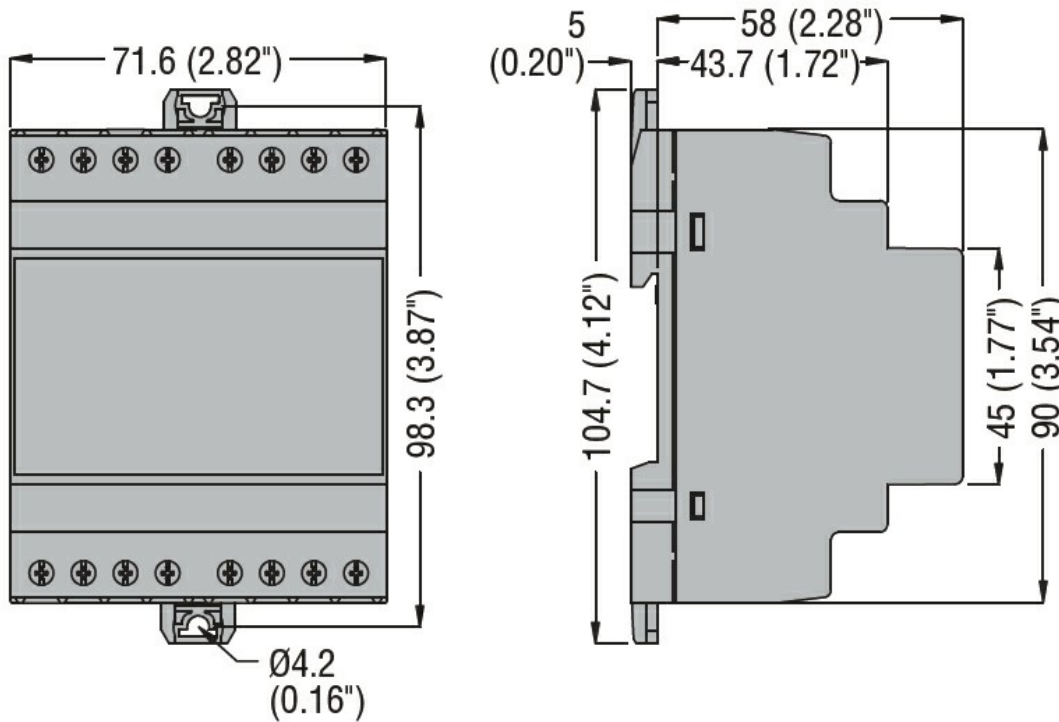




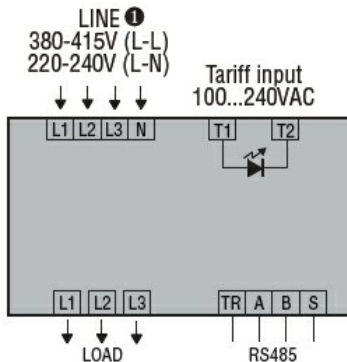
Product designation	Three-phase energy meters		
Product type designation	DMED301		
Type	Three-phase + neutral		
DIN rail module number	4		
<b>Auxiliary supply <math>U_s</math></b>			
Operational frequency	min	Hz	50
	max	Hz	60
Power consumption	Max	VA	20
Power dissipation Max		W	1.35
<b>Measuring voltage inputs</b>			
Rated voltage ( $U_e$ )	phase-phase	VAC	380...415
	phase-neutral	VAC	220...240
Operating voltage range	phase-phase	VAC	323...456
	phase-neutral	VAC	187...264
Connection method	Direct		
<b>Current</b>			
IEC maximum ( $I_{max}$ )		A	80
IEC minimum ( $I_{min}$ )		A	0.5
IEC rated ( $I_{ref-Ib}$ )		A	10
IEC start ( $I_{st}$ )		mA	60
Transition ( $I_{tr}$ )		A	1
<b>Accuracy</b>			
	Active energy		Class 1 (IEC/EN 62053-21)
	Reactive energy		Class 2 (IEC/EN 62053-23)
<b>RS485 serial interface</b>			
Baud rate		bps	Programmable 1200...38400
<b>Insulations</b>			
Rated insulation voltage $U_i$ IEC/EN		V	250
Rated impulse withstand voltage $U_{imp}$		kV	6
Operating frequency withstand voltage		kV	4
<b>Mechanical features</b>			
Housing type	Polyamide		
Terminals type	Fixed		
Conductor cross section	min	mm <sup>2</sup>	2.5
	Max	mm <sup>2</sup>	25
	min	AWG	14

	Max	AWG	4
Tightening torque (Max)		Nm	2
		lbin	17.7
Fixing			Din rail
Weight		g	360
<b>Ambient conditions</b>			
Temperature			
Operating temperature			
	min	°C	-25
	max	°C	+55
Storage temperature			
	min	°C	-25
	max	°C	+70
Relative humidity		%	<80
Maximum Pollution degree			2

**Dimensions**



**Wiring diagrams**



**Certifications and compliance**

**Compliance**

IEC/EN 50470-1

---

IEC/EN 61010-1

---

IEC/EN 61010-2-030

Certificates

---

EAC

---

RCM

ETIM classification

ETIM 8.0

EC001506 -  
Kilowatt-hour  
meter