



Product designation	Three-phase energy meters		
Product type designation	DMED300T2		
Type	Three-phase + neutral		
DIN rail module number	4		
<b>Auxiliary supply Us</b>			
Operational frequency	min	Hz	50
	max	Hz	60
Power consumption	Max	VA	20
Power dissipation Max		W	1.35
<b>Measuring voltage inputs</b>			
Rated voltage (Ue)	phase-phase	VAC	380...415
	phase-neutral	VAC	220...240
Operating voltage range	phase-phase	VAC	323...456
	phase-neutral	VAC	187...264
Connection method	Direct		
<b>Current</b>			
IEC maximum (Imax)		A	80
IEC minimum (Imin)		A	0.75
IEC rated (Iref-Ib)		A	15
IEC start (Ist)		mA	60
Transition (Itr)		A	1.5
<b>Accuracy</b>			
	Active energy	Class 1 (IEC/EN 62053-21)	
	Reactive energy	Class 2 (IEC/EN 62053-23)	
<b>Output characteristics</b>			
LED Pulse rate		pulse/kWh	1000
LED Pulse duration		ms	30
Static output pulse rate		pulse/kWh	1-10-100-1000 programmable
Static output pulse duration		ms	100 for 1-10-10 pulse; 60 for 1000 pulse
Static output external voltage		VDC	10...30
Static outputs Maximum current		mA	50
<b>Insulations</b>			
Rated insulation voltage Ui IEC/EN		V	250
Rated impulse withstand voltage Uimp		kV	6
Operating frequency withstand voltage		kV	4

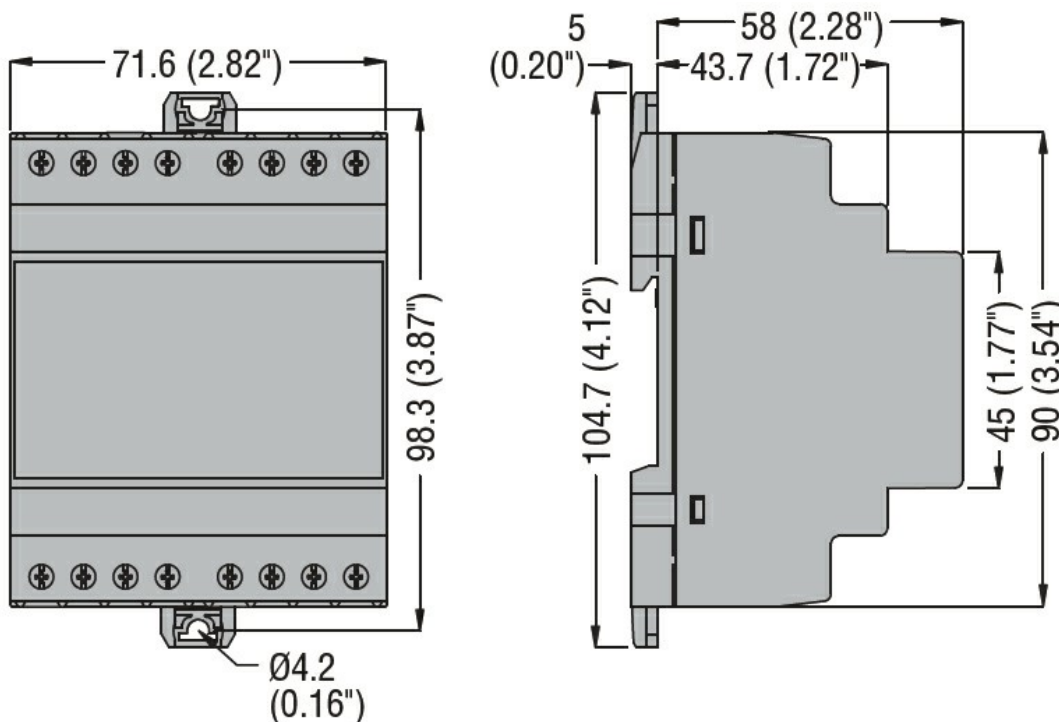
**Mechanical features**

Housing type	Polyamide		
Terminals type	Fixed		
Conductor cross section	min	mm <sup>2</sup>	2.5
	Max	mm <sup>2</sup>	25
	min	AWG	14
	Max	AWG	4
Tightening torque (Max)		Nm	2
		lbin	17.7
Fixing	Din rail		
Weight	g	360	

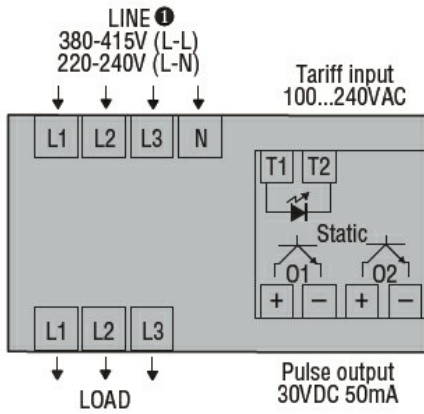
**Ambient conditions**

Temperature	Operating temperature	min	°C	-25
		max	°C	+55
Storage temperature		min	°C	-25
		max	°C	+70
Relative humidity		%	<80	
Maximum Pollution degree			2	

**Dimensions**



**Wiring diagrams**



### Certifications and compliance

#### Compliance

IEC/EN 50470-1  
IEC/EN 61010-1  
IEC/EN 61010-2-030

#### Certificates

EAC  
RCM

### ETIM classification

ETIM 8.0

EC001506 -  
Kilowatt-hour  
meter