



Product designation

Current
transformers

Product type designation

DM2TMA0600

Auxiliary supply U_s

Operational frequency

| | | |
|-----|----|----|
| min | Hz | 50 |
| max | Hz | 60 |

Current inputs

Primary current I_{pn} (/5)

| | |
|---|-----|
| A | 600 |
|---|-----|

Secondary output current

| | |
|---|---|
| A | 5 |
|---|---|

Overload withstand I_{pn}

| | |
|---|-----|
| % | 120 |
|---|-----|

Burden

| | | |
|---------|----|-----|
| cl. 0.5 | VA | 0.5 |
| cl. 1 | VA | 1.5 |

Insulations

Rated insulation voltage U_i IEC/EN

| | |
|---|-----|
| V | 720 |
|---|-----|

IEC rated short-time thermal current I_{th}

| | |
|-----------|---------|
| lth for s | 40...60 |
|-----------|---------|

IEC rated dynamic current I_{dyn}

| | |
|-----------|-----|
| lth for s | 2.5 |
|-----------|-----|

Insulation dry type

Class E

Mechanical features

Terminals type

2m pre-wired

Weight

| | |
|---|-----|
| g | 380 |
|---|-----|

Ambient conditions

Temperature

Operating temperature

| | | |
|-----|----|-----|
| min | °C | -25 |
| max | °C | +50 |

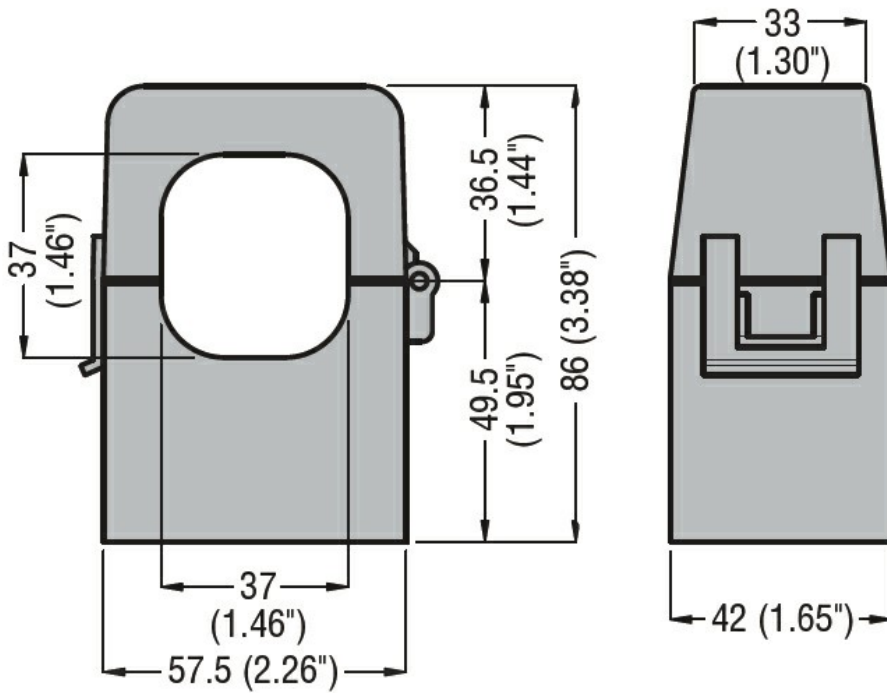
Storage temperature

| | | |
|-----|----|-----|
| min | °C | -40 |
| max | °C | +80 |

Relative humidity

| | |
|---|----|
| % | 90 |
|---|----|

Dimensions



Certifications and compliance

Compliance

IEC/EN/BS 61869-1

IEC/EN/BS 61869-2

Certificates

EAC

ETIM classification

ETIM 8.0

EC002048 -
 Current
 transformer