



Electronic reversing starter, 7A
ME070RD024

Product designation

Product type designation

Electrical features

Function		Reversing starter
Rated operational voltage	V	40...500
Rated frequency	Hz	50/60
Auxiliary supply voltage		24VDC
Rated current AC-3, AC-53a	A	7
Thermal protection		Integrated, class 10A
Thermal trip adjustment range		1.5...7A
Safe torque Off (STO) safety function		No

Digital outputs

Number of outputs	Nr.	3
Output type		1 relay output with C/O contact +2 PNP digital outputs
Output contacts ratings		Relay output: 3A 230V AC15, 2A 24V DC13 Digital outputs: 40mA 24VDC

Mechanical features

Terminals type		Screw
Conductor section	AWG/kcmil conductor section	
	min	24
	max	14
	IEC	
	min	mm ² 0.2
	max	mm ² 2.5
	Tightening torque for terminals max	Nm 0.6
Cable stripping length	mm	8

Operating position

	normal	Vertical
Fixing		35mm DIN rail (IEC/EN/BS 60715)
Weight	g	300

Operations

Mechanical life	cycles	15 milion
Electrical life	cycles	50 milion

Ambient conditions

Operating temperature

min	°C	-25
max	°C	+70

Storage temperature

min	°C	-25
max	°C	+80

Relative humidity

%	20...90
---	---------

Resistance & Protection

Rated insulation voltage U_i

V	500
---	-----

Rated surge voltage

kV	6
----	---

Frontal IP degree

IP20

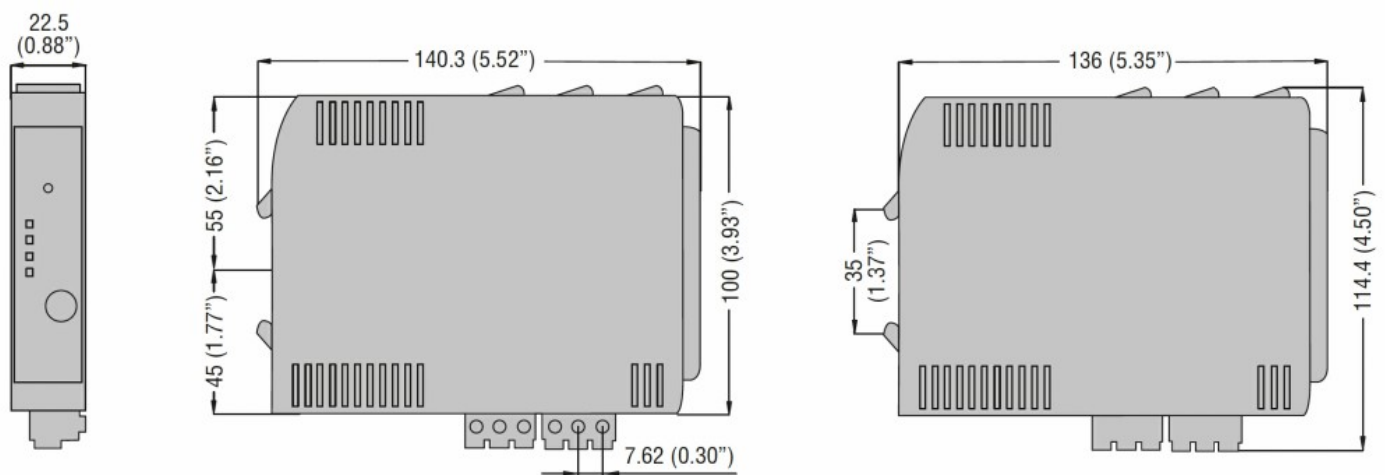
Terminals IP degree

IP20

Pollution degree

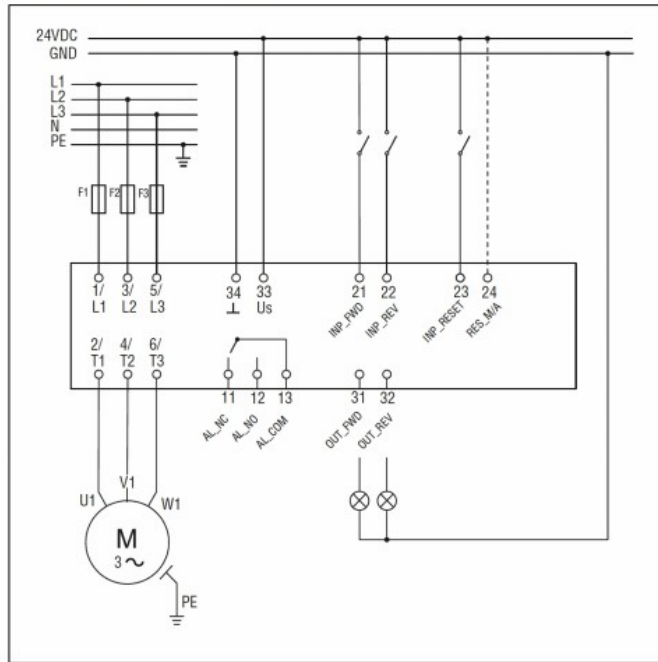
2

Dimensions

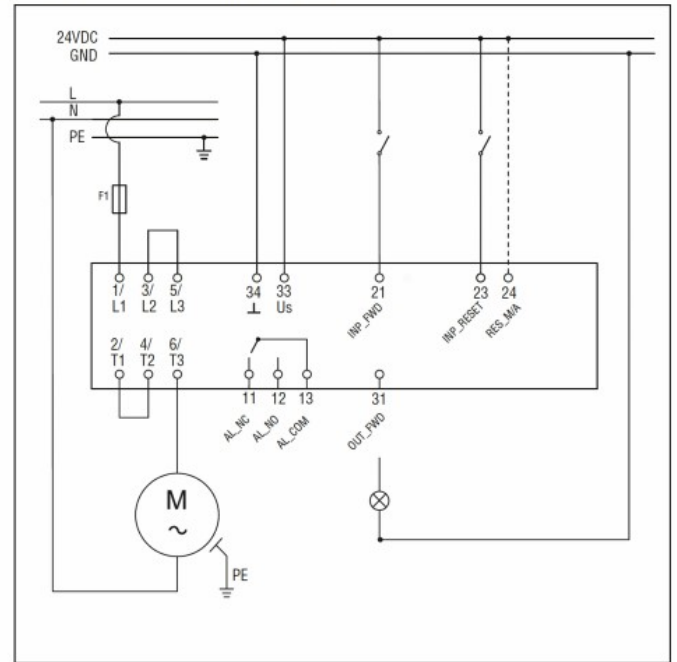


Wiring diagrams

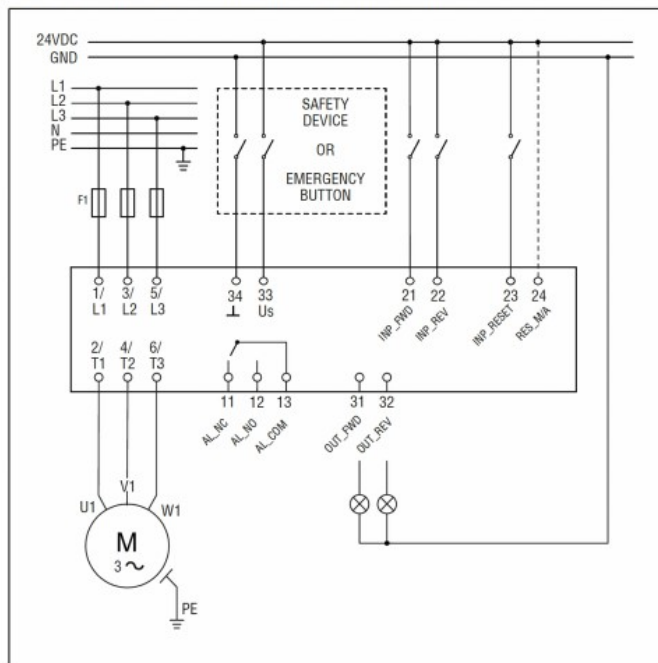
Wiring diagram for three-phase motors



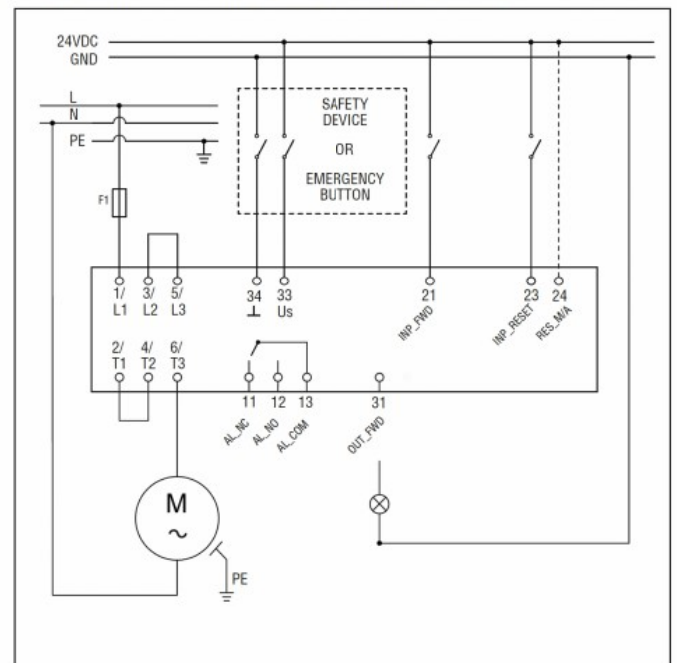
Wiring diagram for single-phase motors



Wiring diagram for three-phase motors for safety applications



Wiring diagram for single-phase motors for safety applications



Certifications and compliance

Compliance

CSA C22.2 n° 60947-4-2
IEC/EN/BS 60947-4-2
UL 60947-4-2

Certificates

cULus

ETIM classification

ETIM 8.0

EC001037 -
Motor starter /
Motor starter
combination