



Product designation

Direct-on-line
starter

Product type designation

M2P00911

Electrical features

Relay adj range

A 4-6.5A

IEC technical characteristics ($\leq 440V$)

le	A	4
kW	kW	1.1...1.5

Mechanical features

Weight

g 1515

Ambient conditions

Operating temperature

min	°C	-25
max	°C	+60

Storage temperature

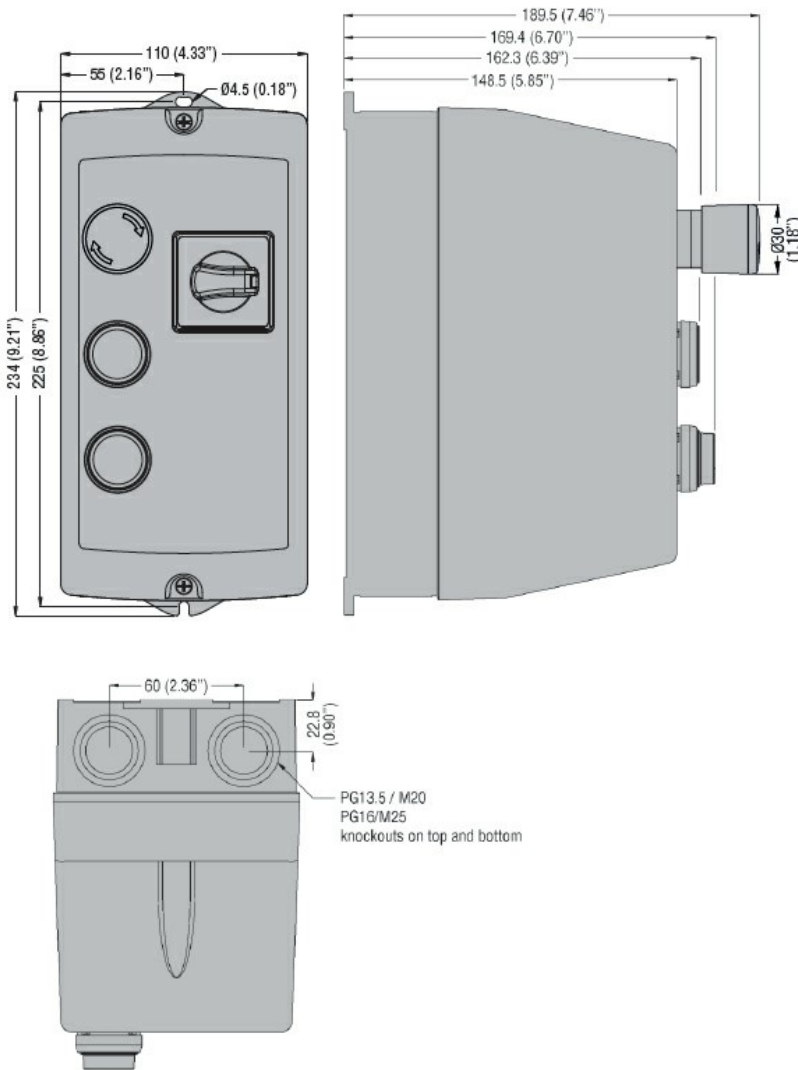
min	°C	-40
max	°C	+70

Resistance & Protection

Frontal IP degree

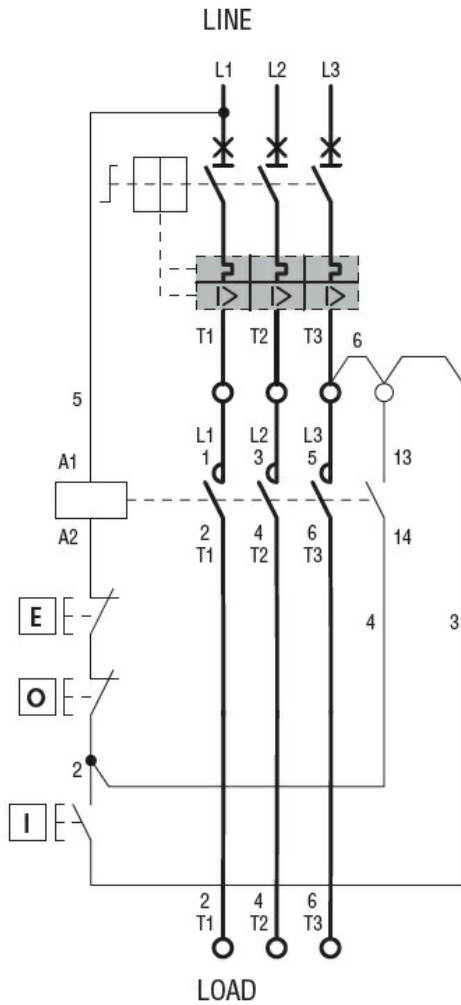
IP65

Dimensions



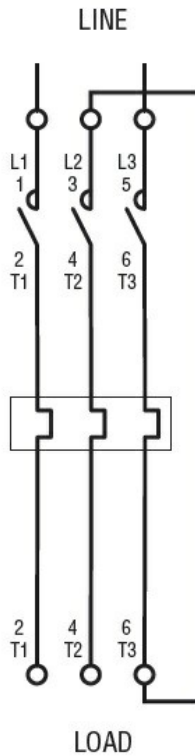
Wiring diagrams

Incorporated button control and rotary actuator for 3-phase motors



I = Start; O = Stop; E = Emergency Stop

Power connection for 1-phase motors



Certifications and compliance

Compliance

IEC/EN 60947-1
IEC/EN 60947-4-1

Certificates

EAC

ETIM classification

ETIM 8.0

EC001037 -
Motor
starter/Motor
starter
combination