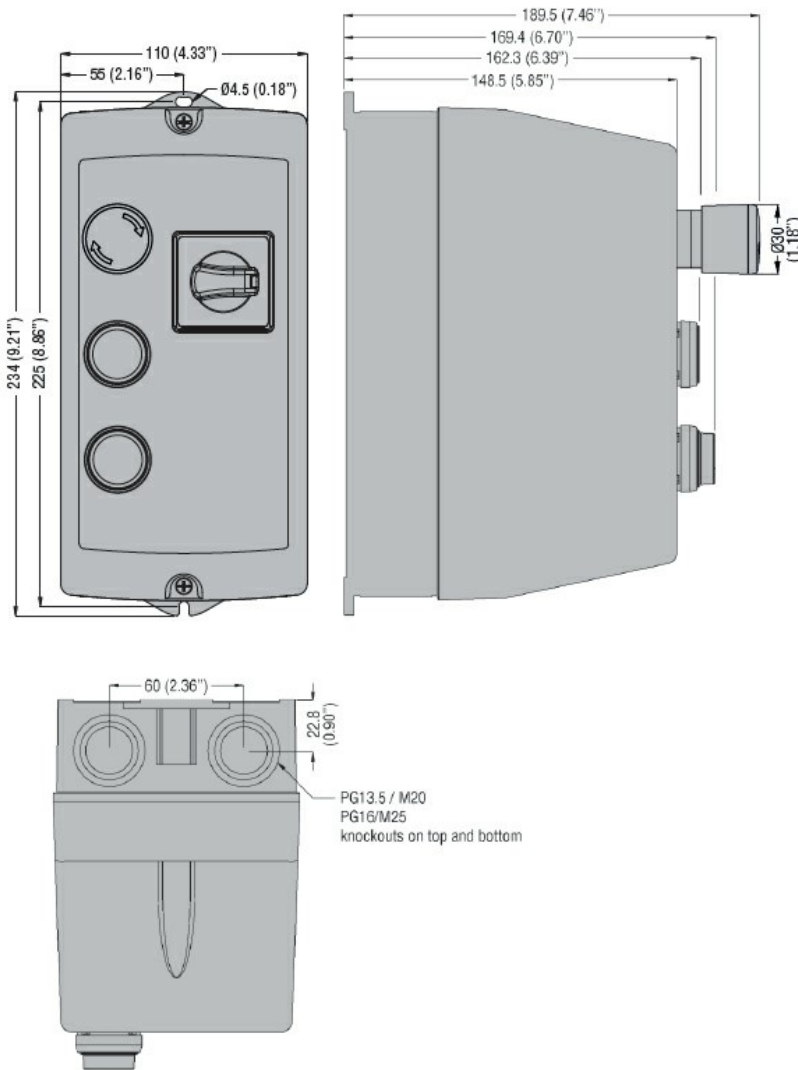




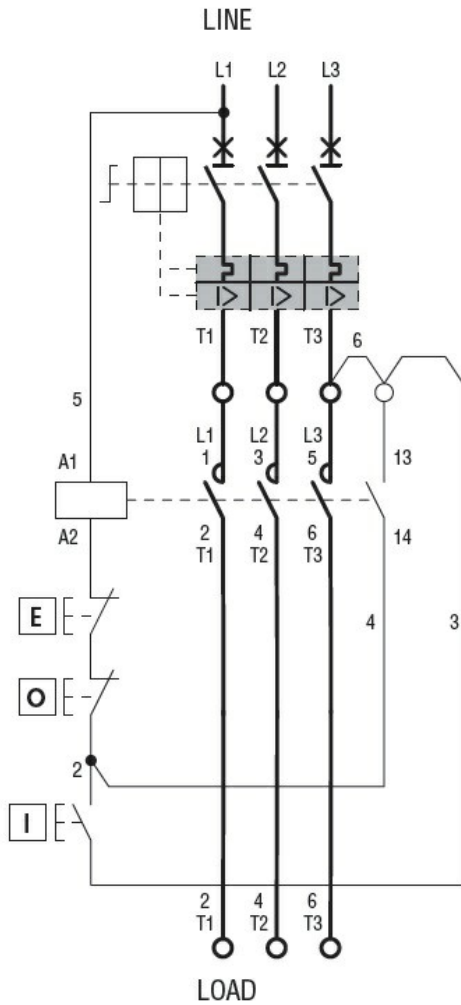
| | | | | |
|---|-----|----|-----------|------------------------|
| Product designation | | | | Direct-on-line starter |
| Product type designation | | | | M2P00911 |
| Electrical features | | | | |
| Relay adj range | | A | 2.5-4 | |
| IEC technical characteristics ($\leq 440V$) | | | | |
| | le | A | 4 | |
| | kW | kW | 1.1...1.5 | |
| Mechanical features | | | | |
| Weight | | g | 1515 | |
| Ambient conditions | | | | |
| Operating temperature | | | | |
| | min | °C | -25 | |
| | max | °C | +60 | |
| Storage temperature | | | | |
| | min | °C | -40 | |
| | max | °C | +70 | |
| Resistance & Protection | | | | |
| Frontal IP degree | | | | IP65 |
| Dimensions | | | | |



Wiring diagrams

Incorporated button control
and rotary actuator for 3-phase motors

Power
connection for 1-phase
motors



I = Start; O = Stop; E = Emergency Stop

Certifications and compliance

Compliance

IEC/EN 60947-1
IEC/EN 60947-4-1

Certificates

EAC

ETIM classification

ETIM 8.0

EC001037 -
Motor
starter/Motor
starter
combination