



Direct-on-line starter to be completed with motor protection circuit breaker and contactor M2P00911

Product designation

Product type designation

**Mechanical features**

Weight g 1450

**Ambient conditions**

Operating temperature	min	°C	-25
	max	°C	+60

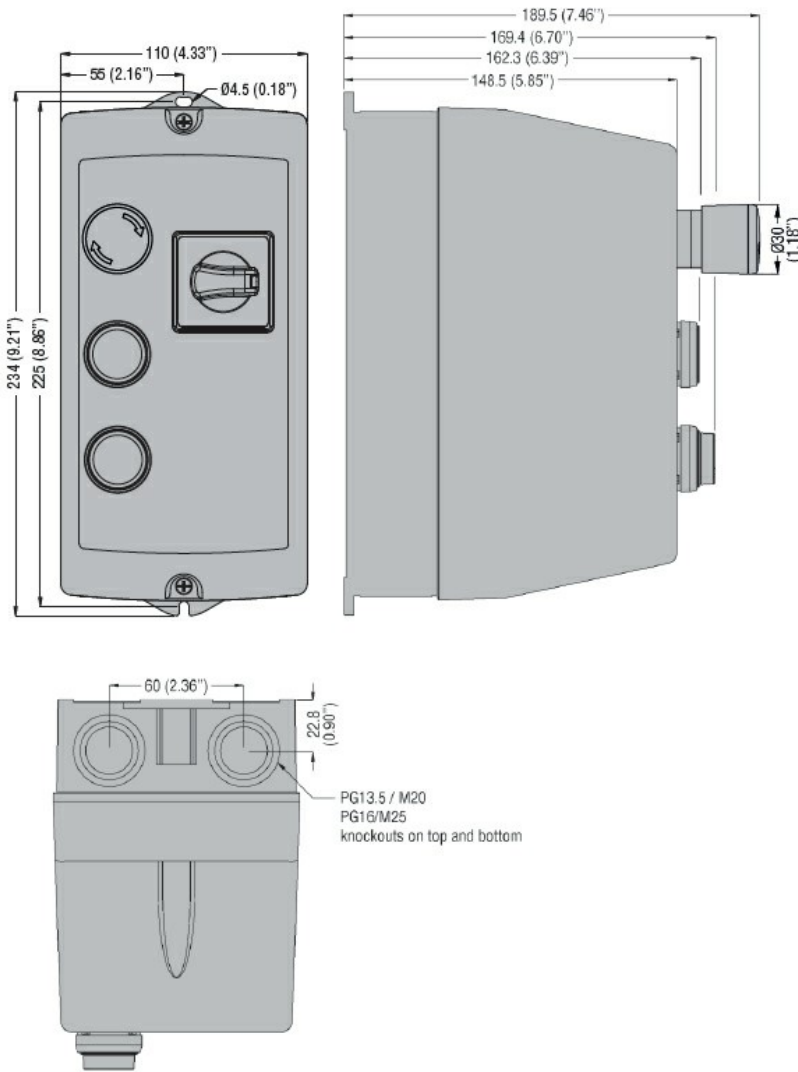
Storage temperature

min	°C	-40
max	°C	+70

**Resistance & Protection**

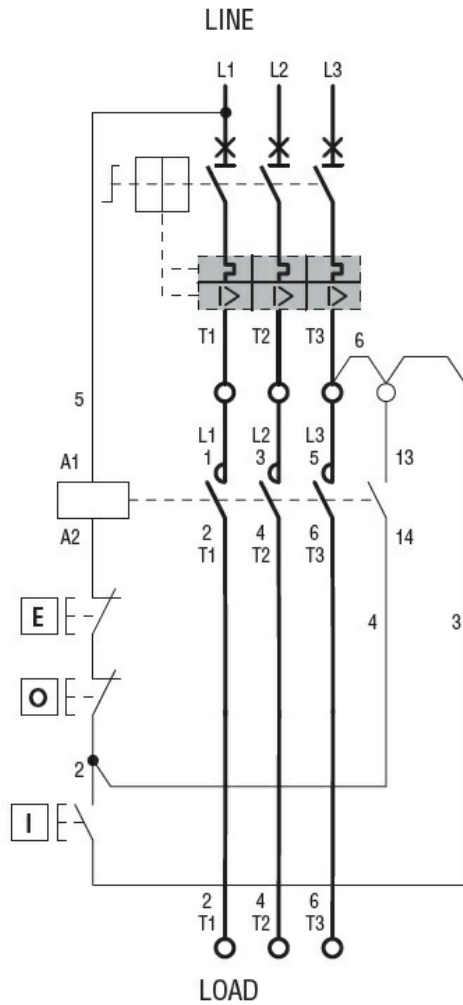
Frontal IP degree IP65

**Dimensions**



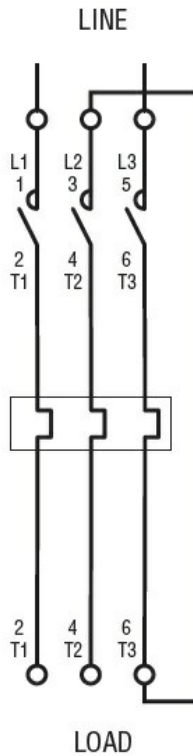
Wiring diagrams

Incorporated button control  
 and rotary actuator for 3-phase motors



I = Start; O = Stop; E = Emergency Stop

Power  
 connection for 1-phase  
 motors



**ETIM classification**

ETIM 8.0

EC001037 -  
 Motor  
 starter/Motor  
 starter  
 combination