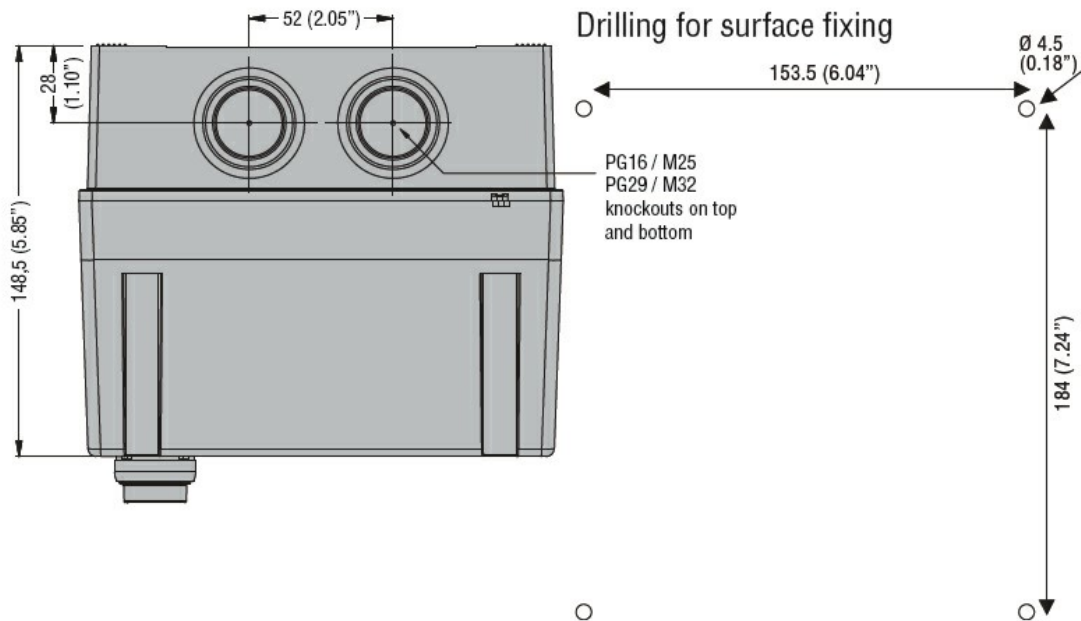
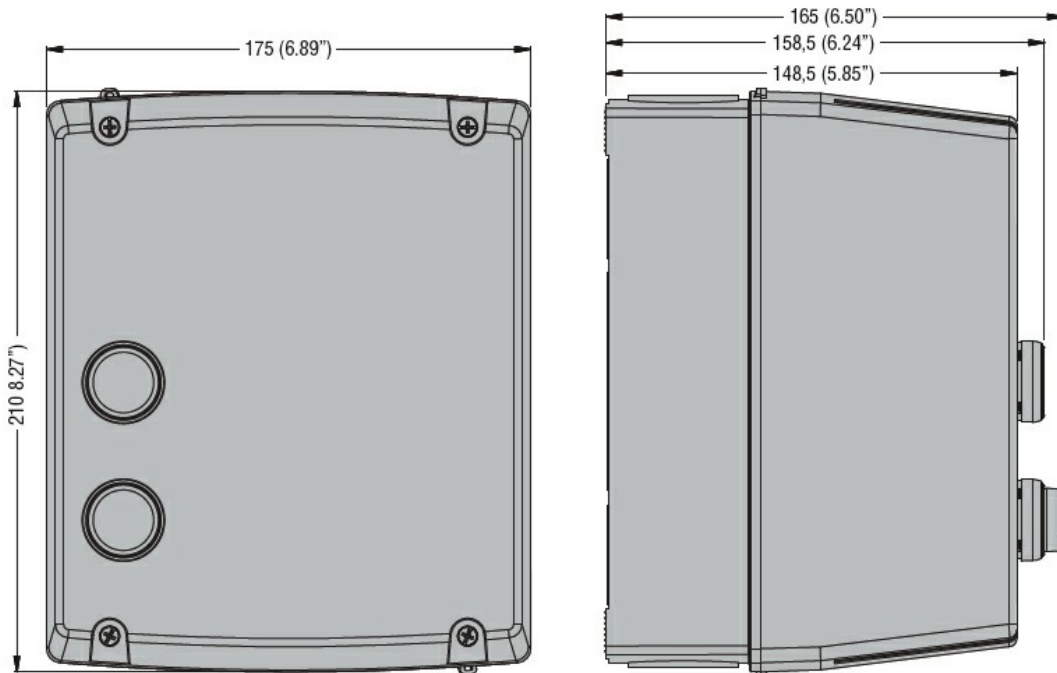
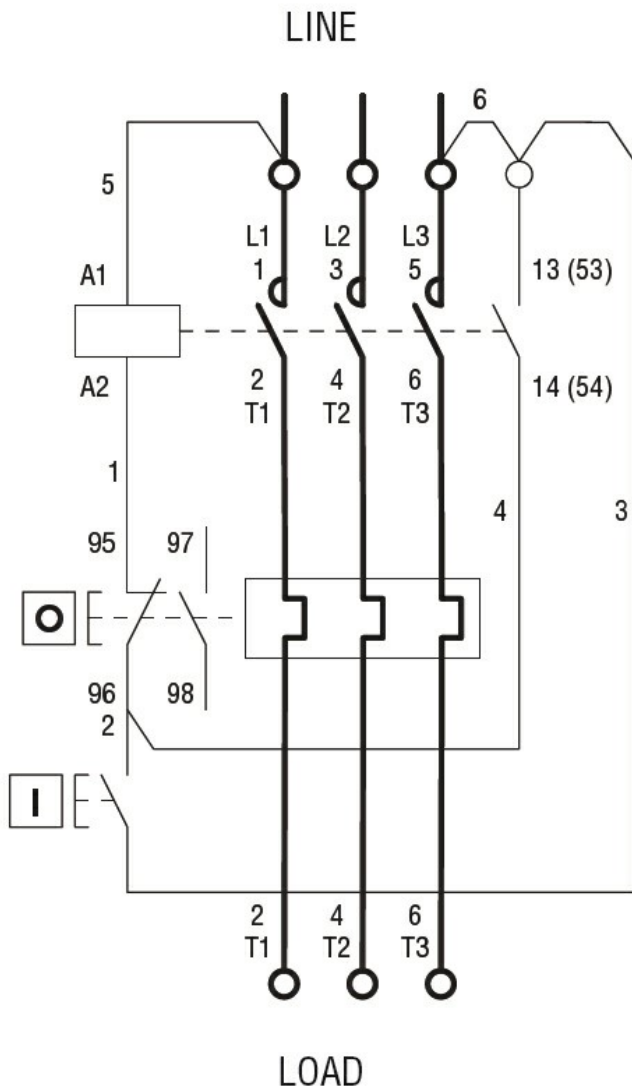




Product designation	Empty enclosures		
Product type designation	M25PA		
<b>Electrical features</b>			
Maximum operating current ( $\leq 440V$ )	A	38	
<b>Components</b>			
Contact standard supplied	BF38A		
Thermal relay to purchase separately	RF38		
<b>Mechanical features</b>			
Weight	g	990	
<b>Ambient conditions</b>			
Operating temperature	min	°C	-25
	max	°C	+60
Storage temperature	min	°C	-40
	max	°C	+70
<b>Resistance &amp; Protection</b>			
Frontal IP degree	IP65		
<b>Dimensions</b>			



Wiring diagrams



I = Start; O = Stop/Reset

### Certifications and compliance

#### Compliance

CSA C22.2 n° 14  
IEC/EN 60947-1  
IEC/EN 60947-4-1  
UL508

#### Certificates

cULus

### ETIM classification

ETIM 8.0

EC000200 -  
Enclosure for  
control circuit  
devices