



Product designation

Direct-on-line
starter

Product type designation

M1P00912...A8

Electrical features

| | | |
|---|----|---------|
| Relay adj range | A | 4-6.5 |
| IEC technical characteristics ($\leq 440V$) | | |
| | le | A |
| | kW | kW |
| | | 6.5 |
| | | 2.2...3 |

Components

| | |
|-------------------------------------|----------|
| Starter enclosure standard supplied | M1PA |
| Contactor standard supplied | BF0910A |
| Thermal relay standard supplied | RF380650 |

UL technical data

| | | | |
|---|-----------|----|------|
| Maximum UL/CSA horsepower ratings single-phase | | | |
| | 110V-120V | HP | 0.25 |
| | 220V-240V | HP | 0.5 |
| Maximum UL/CSA horsepower ratings three-phase, 3-pole | | | |
| | 200V-208V | HP | 1 |
| | 220V-240V | HP | 1.5 |
| | 440V-480V | HP | 3 |
| | 550V-600V | HP | 5 |

Mechanical features

| | | |
|--------|---|------|
| Weight | g | 1040 |
|--------|---|------|

Ambient conditions

| | | | |
|-----------------------|-----|----|-----|
| Operating temperature | | | |
| | min | °C | -25 |
| | max | °C | +60 |

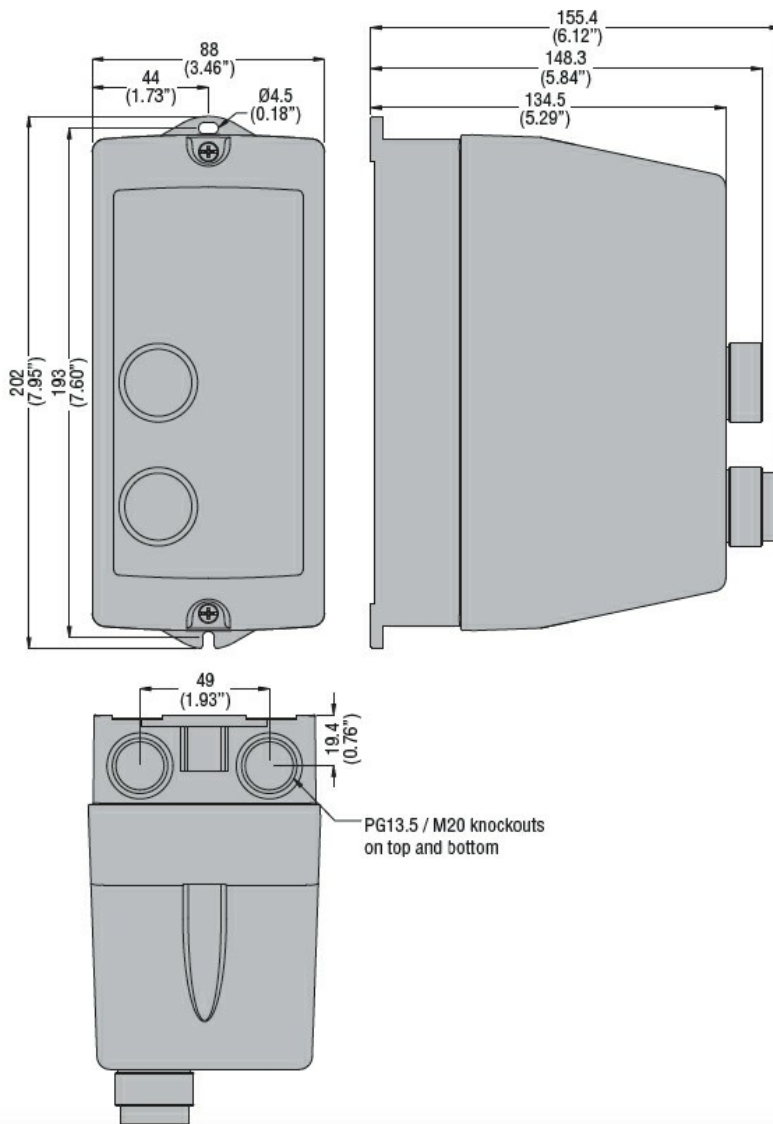
Storage temperature

| | | | |
|--|-----|----|-----|
| | min | °C | -40 |
| | max | °C | +70 |

Resistance & Protection

| | |
|-------------------|------|
| Frontal IP degree | IP65 |
|-------------------|------|

Dimensions



Wiring diagrams



I = Start; O = Stop/Reset

Certifications and compliance

Compliance

IEC/EN 60947-1
IEC/EN 60947-4-1
UL508 CSA C22.2 n° 14

Certificates

CSAus
cULus
EAC

ETIM classification

ETIM 8.0

EC001037 -
Motor
starter/Motor
starter
combination