



Product designation

Direct-on-line starter

Product type designation

M1P00912...A7

**Electrical features**

Relay adj range	A	2.5-4	
IEC technical characteristics ( $\leq 440V$ )	le kW	A kW	4 1.1...1.5

**Components**

Starter enclosure standard supplied	M1PA
Contactor standard supplied	BF0910A
Thermal relay standard supplied	RF380400

**UL technical data**

Maximum UL/CSA horsepower ratings three-phase, 3-pole	200V-208V	HP	0.75
	220V-240V	HP	0.75
	440V-480V	HP	2
	550V-600V	HP	3

**Mechanical features**

Weight	g	1040
--------	---	------

**Ambient conditions**

Operating temperature	min	°C	-25
	max	°C	+60

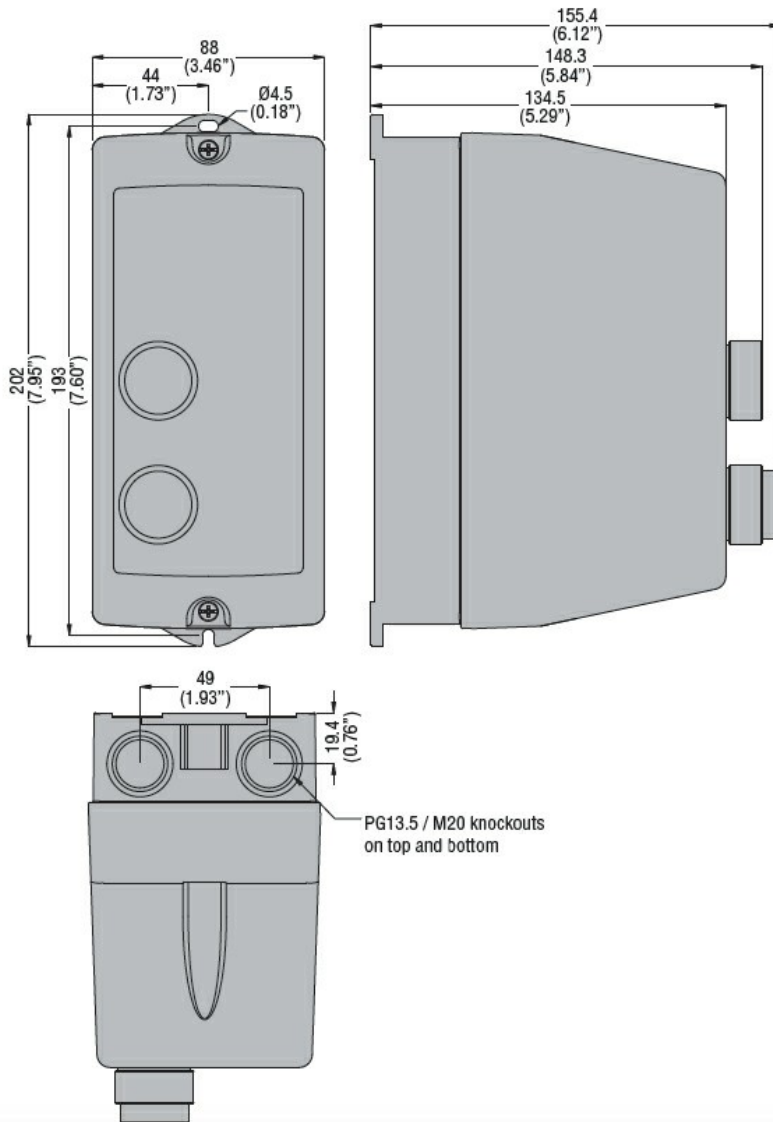
Storage temperature

min	°C	-40
max	°C	+70

**Resistance & Protection**

Frontal IP degree	IP65
-------------------	------

**Dimensions**



Wiring diagrams



I = Start; O = Stop/Reset

### Certifications and compliance

#### Compliance

IEC/EN 60947-1  
IEC/EN 60947-4-1  
UL508 CSA C22.2 n° 14

#### Certificates

CSAus  
cULus  
EAC

### ETIM classification

ETIM 8.0

EC001037 -  
Motor  
starter/Motor  
starter  
combination